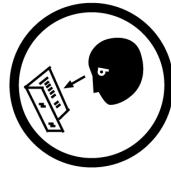




# TOOL TROLLEY CONTOUR 60 SUPER WIDE Part No. K7860

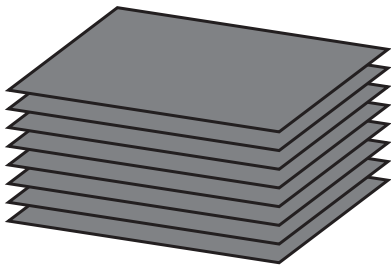
## OPERATION MANUAL

**DRAWER LOAD LIMIT: 30kg  
CASTOR LOAD LIMIT: 250kg**

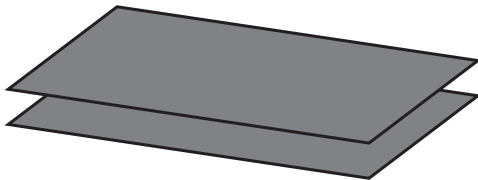


**⚠ IMPORTANT:**  
THIS OPERATING MANUAL CONTAINS IMPORTANT SAFETY INFORMATION. READ CAREFULLY AND UNDERSTAND ALL INFORMATION BEFORE OPERATING TOOL. SAVE THIS MANUAL FOR FUTURE USE.

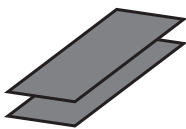
## PARTS LIST



**8 x Liners for drawer large shallow, large medium and extra large deep**



**2 x Liners for drawer extra large left and right**



**2 x Liners for drawer small and air station**



**4 x 5mm Hex Bolts**



**2 x Keys**



**2 x Trolley Handles**

<b>TOOLS NEEDED</b>		
		<b>5mm Hex Key</b>

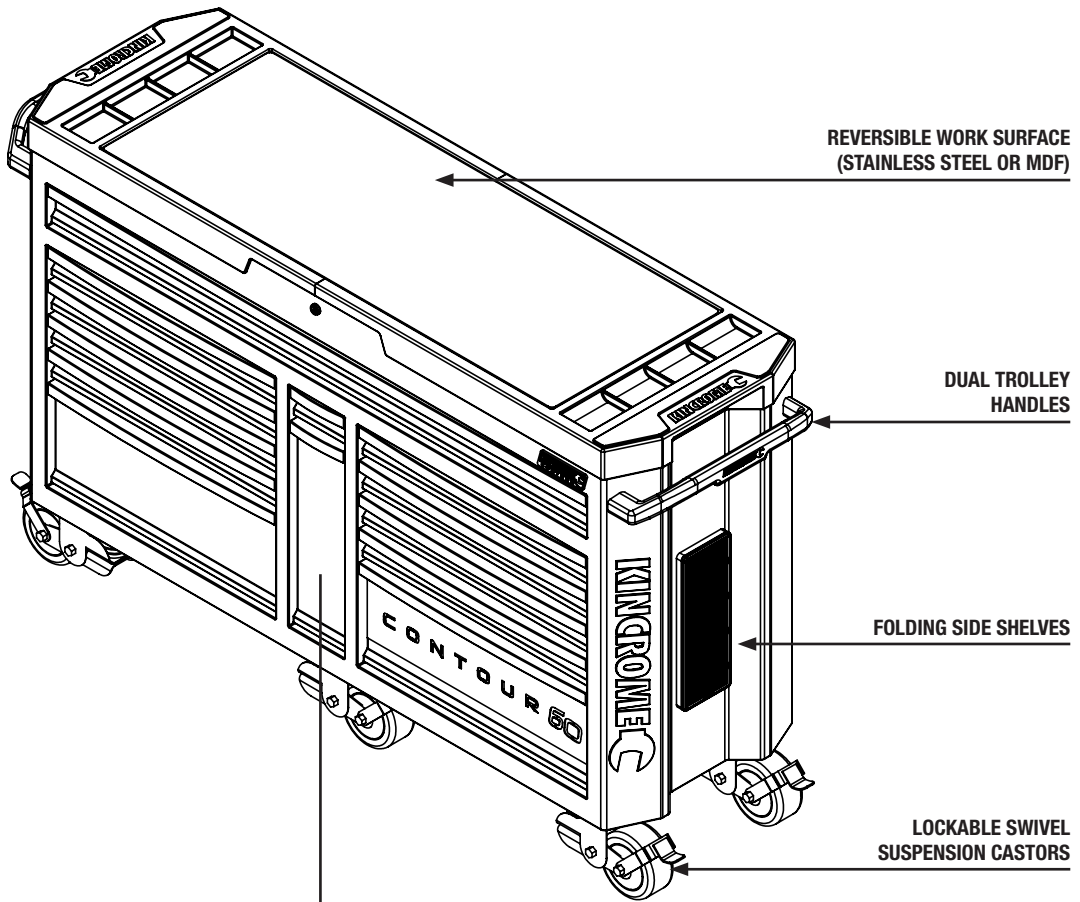


# TOOL TROLLEY CONTOUR 60 SUPER WIDE Part No. K7860

## ASSEMBLY INSTRUCTIONS

**Step 1:** Get assistance to lift the trolley and slide the pallet from under the trolley. Castors are pre fitted.

**Step 2:** Using the 5mm Hex key provided, attach the 2 side trolley handles.



### AIR TOOL STATION

HANGS VARIOUS AIRTOOLS IN AN INVERTED POSITION USING FITTED NITTO STYLE AIR FITTINGS.



### STORAGE OPTIONS

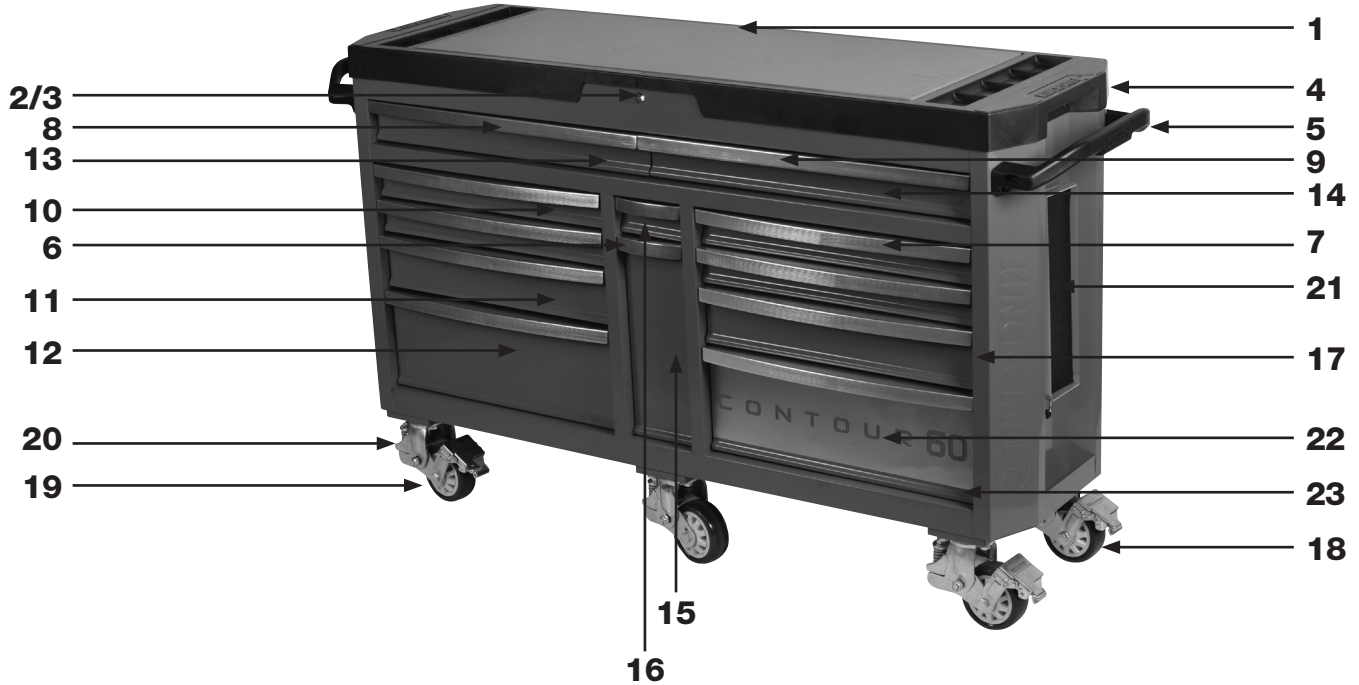
CAN ACCEPT 1 OR 2 K7748 CONTOUR CHESTS. (SOLD SEPARATELY)





# TOOL TROLLEY CONTOUR 60 SUPER WIDE Part No. K7860

## SPARE PARTS



## REPLACEMENT PARTS

ITEM	PART NO.	DESCRIPTION	QUANTITY
1	K7860-1	MDF / STAINLESS STEEL TOP	1
2	K7860-2	LOCK & KEY	1
3	K7860-3	KEY ONLY (SPECIFY NUMBER)	1
4	K7860-4	PLASTIC TROLLEY TOP (1)	1
5	K7860-5	TROLLEY HANDLE (2)	1
6	K7860-6	ALUMINIUM DRAWER GRIP SMALL	1
7	K7860-7	ALUMINIUM DRAWER GRIP LARGE	1
8	K7860-8	ALUMINIUM DRAWER GRIP XLARGE (LEFT)	1
9	K7860-9	ALUMINIUM DRAWER GRIP XLARGE (RIGHT)	1
10	K7860-10	DRAWER LARGE SHALLOW	1
11	K7860-11	DRAWER LARGE MEDIUM	1
12	K7860-12	DRAWER LARGE DEEP	1

ITEM	PART NO.	DESCRIPTION	QUANTITY
13	K7860-13	DRAWER EXTRA LARGE LEFT	1
14	K7860-14	DRAWER EXTRA LARGE RIGHT	1
15	K7860-15	DRAWER AIR STATION	1
16	K7860-16	SMALL DRAWER	1
17	K7860-17	BALL BEARING SLIDES SC (2)	1
18	K7860-18	SWIVEL CASTOR (1)	1
19	K7860-19	SIWVEL CASTOR WITH LOCK (1)	1
20	K7860-20	CASTOR NUT & BOLT KIT	1
21	K7860-21	FOLDING SIDE SHELF	1
22	K7860-22	STAINLESS STEEL FASCIA	1
23	K7860-25	EVA MAT PACK (12)	1

### Caution: Take Safety Precautions When Using Your Toolbox



**KINCROME**  
TOOLS + EQUIPMENT™

National Head Office  
National Distribution and Showroom  
3 Lakeview Dve, Caribbean Business Park  
Scoresby Victoria 3179 Australia  
ABN 41 007 185 006

Administration  
T (03) 9730 7100 F (03) 9730 7199

Customer Service Centre  
T 1300 657 528 F 1300 556 005

E enquiries@kinchrome.com.au  
W kinchrome.com.au