



Two Door Wall Cabinet

Model Number
K7803



Safety Instructions

These unit should be placed on a level surface.
Evenly distribute the weight on each level and always keep the heavier loads on the bottom.
Use care when working with metal parts.
To facilitate assembly we recommend having two persons assemble the cabinet.

Required Tools

Phillps screw driver
Flat screw driver
Rubber mallet

Part List (Notice: Small lable with item# on each parts)

Item	Description	Q'ty	Image	Item	Description	Q'ty	Image
①	Side panel (right)	1		⑥	Door with logo (right)	1	
②	Side panel (left)	1		⑦	Door (left)	1	
③	Bottom panel	1		⑧	Shelf	1	
④	Back panel	1		⑨	Top spanner	1	
⑤	Top panel	1		⑩	wall cleat	1	

Accessory

b	Cam	15		h	Bolt	4	
c	Hinge	4		i	Handle	2	
e	Wooden dowel	8		j	Bracket	4	
f	Metal dowel	15		k3	wall anchor	2	
g	Screw (M4*15)	24					

Assembly Instructions

Step 1

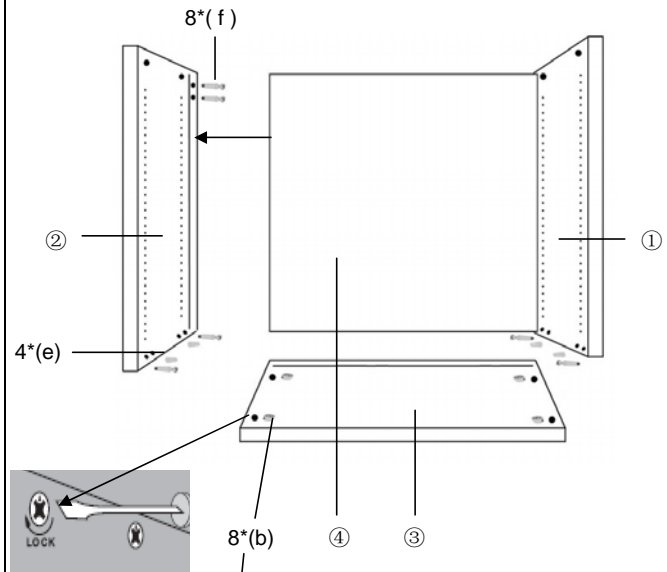
Screw 8*(f) Metal dowel in the side panels, and push in 4*(e) Wooden dowel at the bottom of the side panels.

Insert the back panel to the slots of the side panels and bottom panels. Make sure the top and the bottom are in the same level.

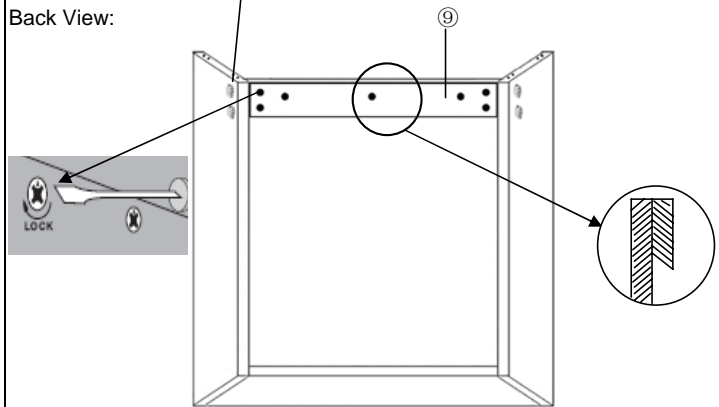
Then put the cams 4*(b) in the holes of the top spanner. and turn the clockwise to lock before the side panels fixed. The bevel edge of the spanners face down.

Put the cams 4*(b) in the holes of the bottom panel, push the bottom panel slightly and make sure it is on the place, and turn the clockwise to lock before the side panels fixed.

Front View:



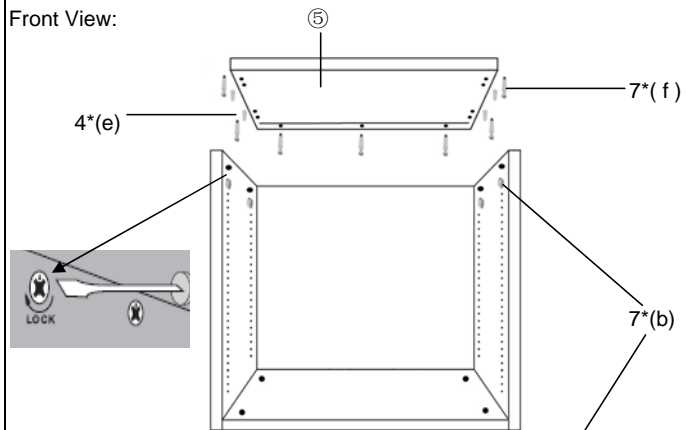
Back View:



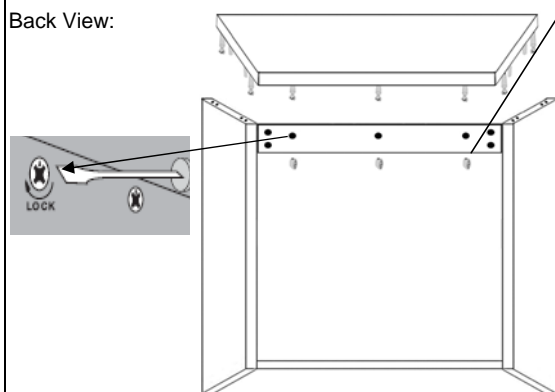
Step 2

Assemble Top Panel: Screw 7*(f) Metal dowel in the top panel, and push in 4*(e) Wooden dowel, lay the top panel onto the 2 sides panels and top spanner, make sure all the dowels are in the holes of the side panels. Then put the cams 7*(b) in the 7 holes and turn the cams clockwise to lock.

Front View:



Back View:

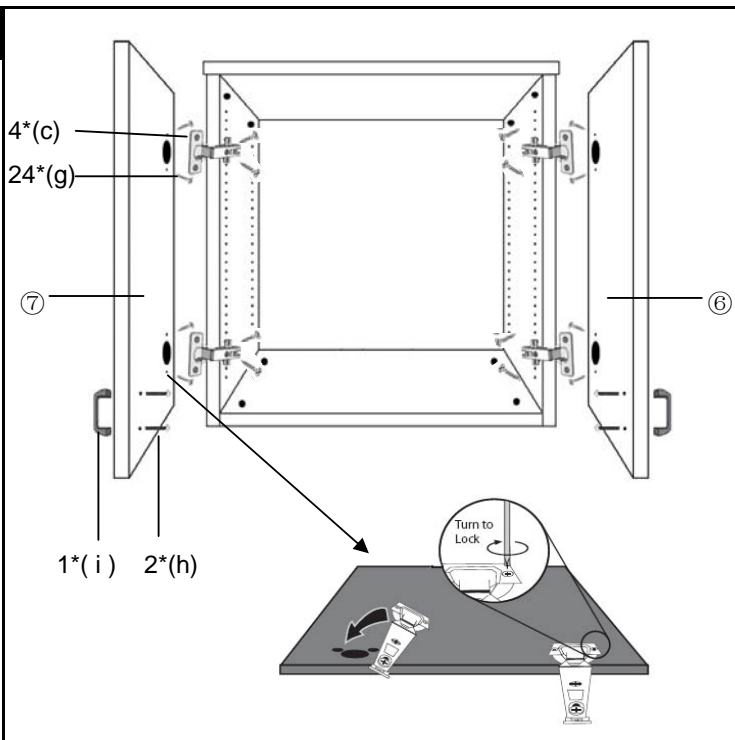


Assembly Instructions

Step 3

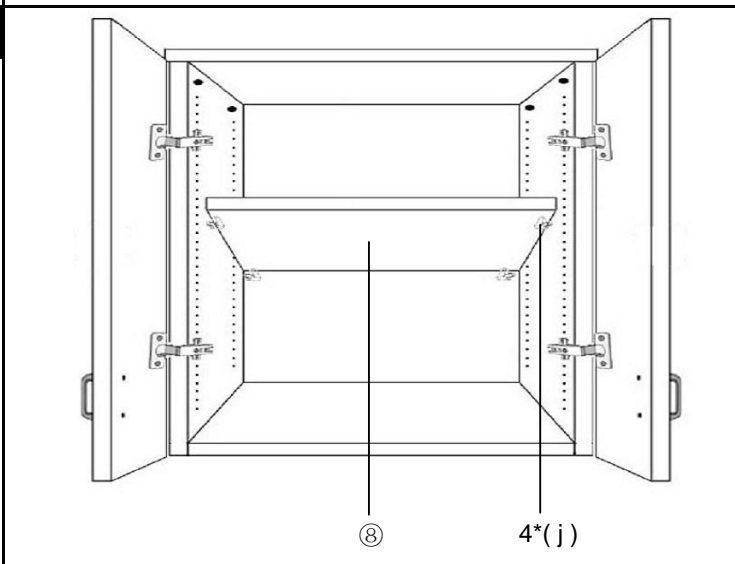
Assemble the two doors: Set hinges(c) into the doors, using a screwdriver, turn the 2*(g) screws in the hinge until tight to lock the place. Lift door to side panel and set top hinge into the hinge mounting plate, assemble the hinge with 4*(g) screws. Repeat for bottom hinges and opposite side door (make sure the bottom and the top of the doors are in the same level).

Assemble the two handles: Using 2*(h) bolts attach the handle (i) to outside doors.



Step 4

Insert the shelf bracket 4*(j) into the determined place, take the shelf ⑧ on the bracket.



Step 5

Use wall anchor 2*(k3) to fix the two board on the wall, The bevel edge of the the wall cleat face up, and make sure the board is in level.

Test the strength before you hang the cabinet on the wall cleat.

Hang the cabinet on the wall until the top spanner insert into the cleat.

