

# Two Drawer storage Cabinet

**Model Number**  
**K7802**













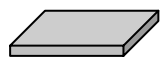
### Safety Instructions

These unit should be placed on a level surface.  
Evenly distribute the weight on each level and always keep the heavier loads on the bottom.  
Use care when working with metal parts.  
To facilitate assembly we recommend having two persons assemble the cabinet.  
One inner hexagonal wrench provided in the accessory package.

### Required Tools

Phillips screw driver  
Flat screw driver  
Rubber mallet

### Part List (Notice: Small lable with item# on each parts)

Item	Description	Q'ty	Image	Item	Description	Q'ty	Image
①	Side panel (right)	1		⑦	Drawer back panel	2	
②	Side panel (left)	1		⑧	Drawer front panel	2	
③	Bottom panel	1		⑨	Drawer bottom	2	
④	Back panel	1		⑩	Drawer side panel (right)	2	
⑤	Middle panel	1		⑪	Drawer side panel (left)	2	
⑥	Top Panel	1					

### Accessory

a	Screw	12		g	Screw (M4*15)	16	
b	Cam	14		h	Bolt	4	
d	Foot	4		i	Handle	2	
e	Wooden dowel	14		k1	Clip	4	
f	Metal dowel	14		k2	Screw (M3*16)	4	

# Assembly Instructions

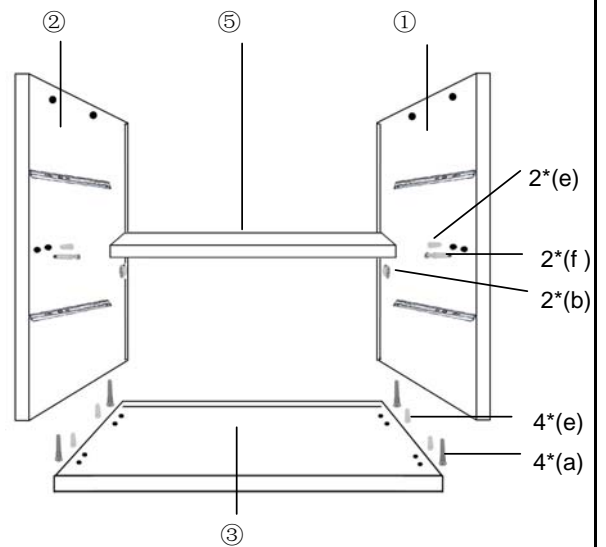
## Step 1

Assemble Middle Panel:

Push in 2\*(e) Wooden dowel in the side panels.

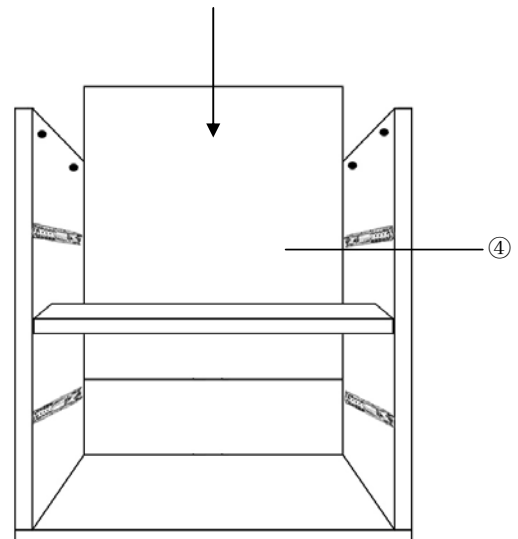
Screw 2\*( f ) Metal dowel in the side panels, make sure all the dowels are in the holes of the side panels.

Assemble Bottom Panel: push in 4\*(e) Wooden dowel in the bottom panel, then screw the 4\*(a) from the bottom to connect the bottom panel and the two sides panels.



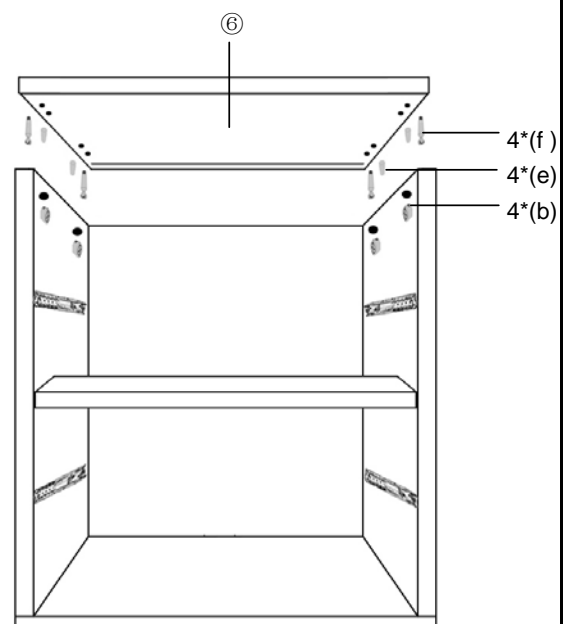
## Step 2

Insert the back panel into the slots of the side panels and the bottom panel,



## Step 3

Assemble Top Panel: Screw 4\*( f ) Metal dowel in the top panel, and push in 4\*(e) Wooden dowel, lay the top panel onto the 2 sides panes and back panel, make sure all the dowels are in the holes of the side panels. Then put the cams 4\*(b) in the 4 holes and turn the cams clockwise to lock.



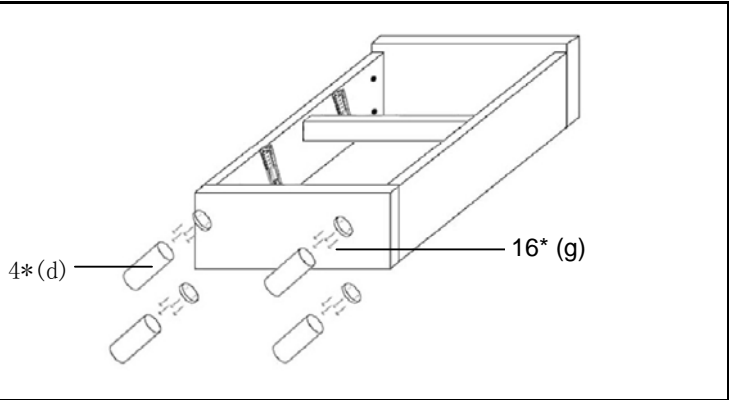
# Assembly Instructions

## Step 4

Screw the foot cover from the foot (d) and fix it on the bottom panel with 4\*(g) screws, turn the screws until tight to lock the place.

Then screw the feet into the covers.

Repeat the step to assemble the other three foot.



## Step 5

Assemble the drawer: insert the drawer bottom panel into the slots of the side panels and the back panel.

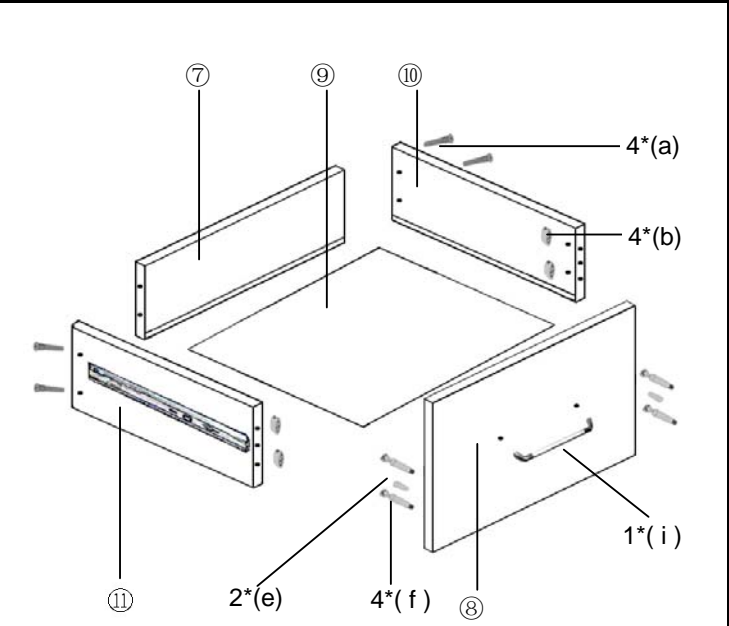
screw the 4\*(a) to connect the back panel and the two drawer sides panels.

Push in 2\*(e) Wooden dowel in the drawer front panel ⑧.

Screw 4\*(f) Metal dowel in the drawer front panel, then put the cams 4\*(b) in the 4 holes of the side panels and turn the cams clockwise to lock.

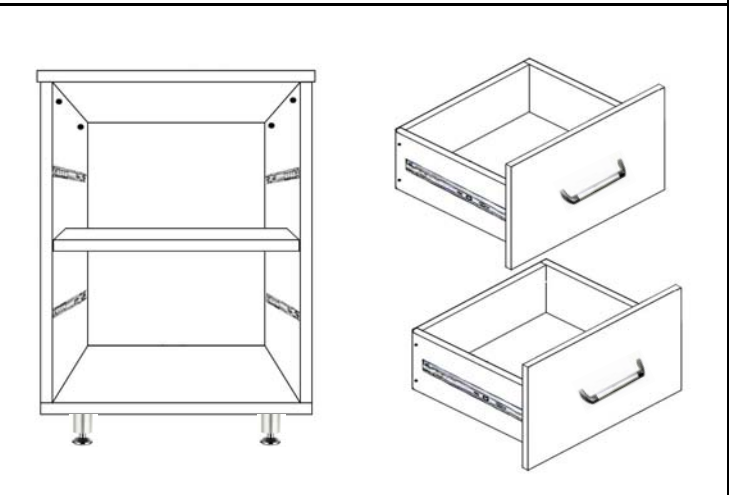
Assemble the handles: Using 2\*(h) screws attach drawer handle (i) to outside drawer front panel.

Repeat the step to assemble the other drawer.



## Step 6

Install the two drawers assembly to the two sides panel mounts.



## Step 7

Enhance the cabinet by adding four clips in the back panel.

Fix the clips 4\*(k1) in the corners by 4\*(k2), turn the screws until tight to lock the place.

