

# Operation Manual

K7959

**! IMPORTANT:** THIS OPERATING MANUAL CONTAINS IMPORTANT SAFETY INFORMATION, READ CAREFULLY & UNDERSTAND ALL INFORMATION BEFORE OPERATING. SAVE THIS MANUAL FOR FUTURE USE



Do not let children near the Toolbox.



Not suitable for mounting in Vehicles



Set the brake on the locking castors unless your are moving the Toolbox.



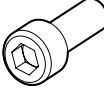
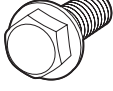
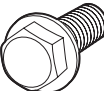
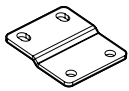
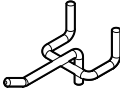

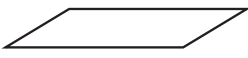
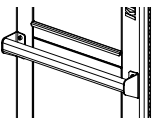
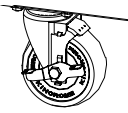
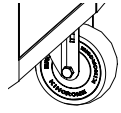
Lock drawers and lid before moving the Toolbox.

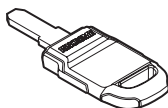


## Specifications

Drawer load capacity	25kg
Shelf load capacity	20kg
Net weight	48kg
Material	Heavy Gauge Steel
Measurements	L 500 x W 465 x H 1298mm

## Parts List

	
4 X BOLTS	8 X BOLTS FOR CASTOR
	
8 X BOLTS FOR CONNECTING PLATES	2 X CONNECTING PLATES
	
10 X HOOKS	8 X SHELF CLIPS
	
2 X EVA MATS	1 X HANDLE
	
1 X LOCKABLE SWIVEL CASTOR	1 X SWIVEL CASTOR



2 X KEYS

## Maintenance

- > Periodically tighten all hardware
- > Lubricate the lock with graphite annually
- > Use a damp Microfibre cloth to clean all surfaces

# Operation Manual

K7959

## Assembly Instructions

**STEP 1:**

The Side locker can be installed on either side of a Kincrome EVOLUTION trolley.

Remove the 2 outside bolts from the castors on the side you are going to mount the side locker.

Using the 2 removed bolts mount the connecting plates to the underside of the castors.

(Please ensure you are mounting the lower side of the connecting plates to the trolley)

**STEP 2:**

Once the connecting plates are in position you can mount the side locker onto the trolley by hooking the lip onto the side of the side locker on the side locker over the top of the trolley side, the side locker will be supported also by the connecting plates underneath.

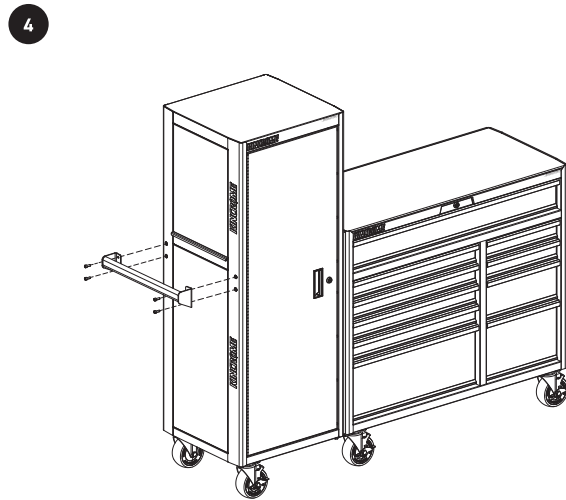
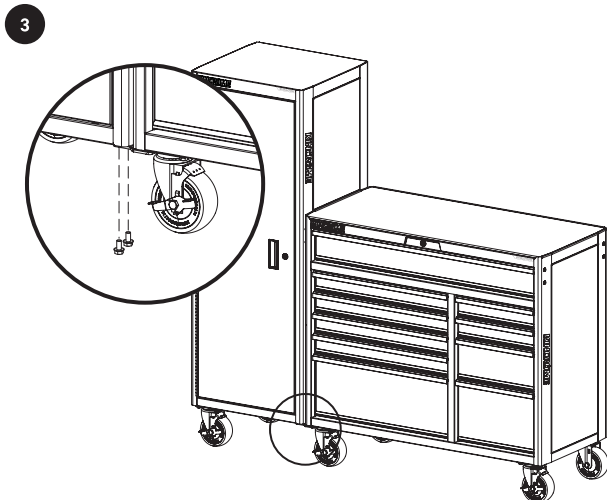
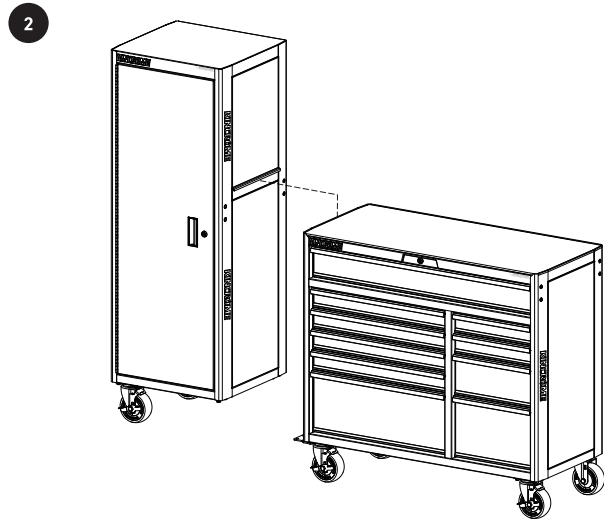
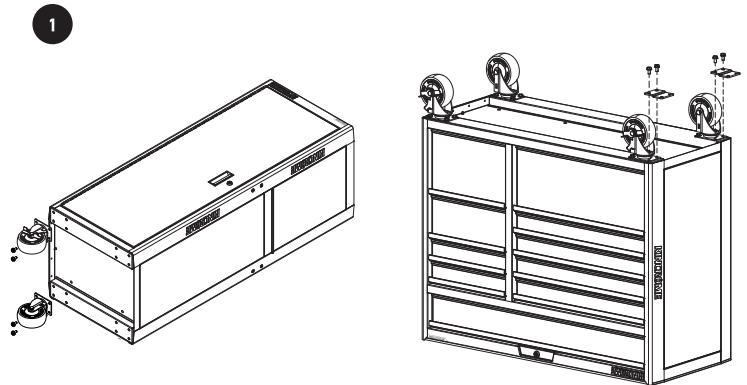
**STEP 3:**

Using the 4 bolts supplied for the connecting plates, securely fasten the plates to the bottom of the side locker.

**STEP 4:**

Position the trolley handle on the side of the locker & line up with the the mounting holes.

Attach with the 4 x bolts provided, and tighten.



# Operation Manual

K7959

## How To Reverse Door & Adjust Shelf

### REVERSING THE DOOR

The Side locker door can open in either direction depending on your preference.

**Step 1:** Remove the door of the Side Locker by removing the 8 Phillips head bolts inside the hinge of the Side Locker.

**Step 2:** Flip the door and re-orient to the other side, then re-install the door with the 8 Phillips head bolts along the hinge. Ensure the door is level and centered in the opening before tightening the 8 bolts.

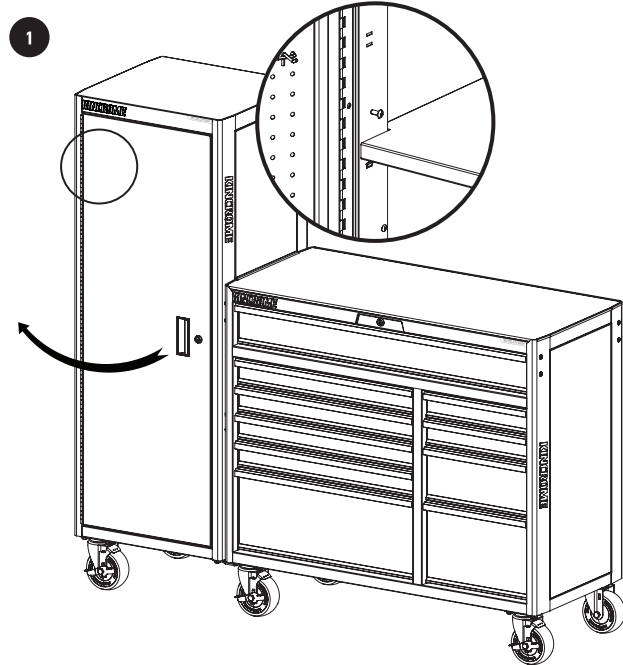
### SHELF ADJUSTMENT

**Step 1:** With an open hand, push up against the bottom of the shelf to disengage it from the locating tabs.

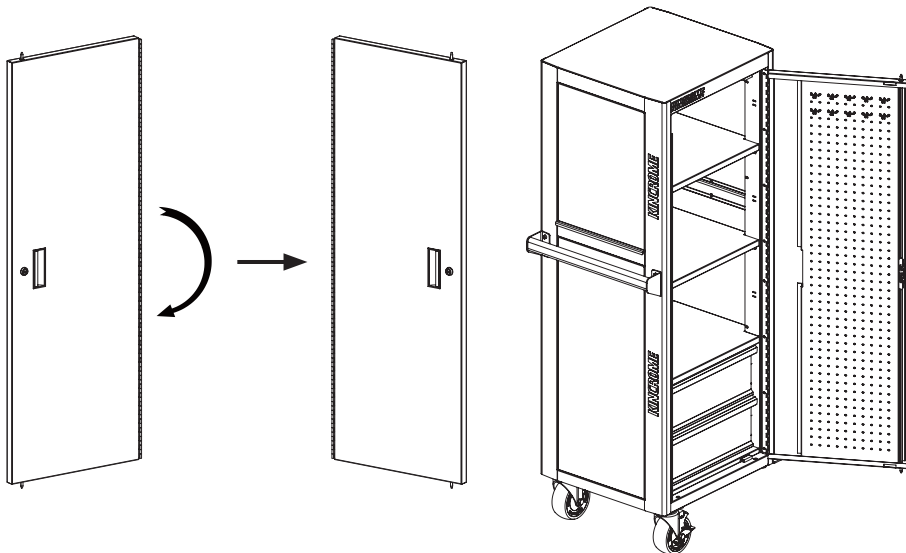
**Step 2:** Move the shelf to the desired position

**Step 3:** Push down on the shelf to lock it into the locating tabs

### REVERSING THE DOOR



2

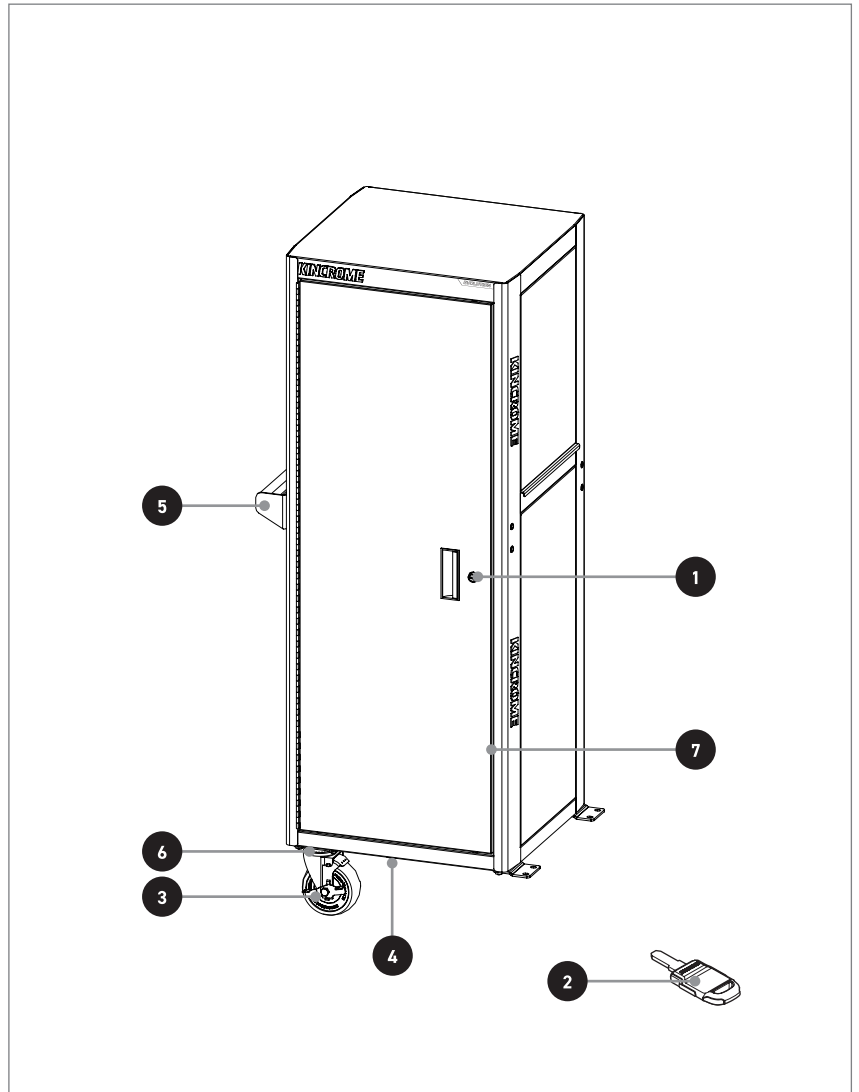


# Operation Manual

K7959

## Spare Parts

Ref	Part Number	QTY	Description
1	K7999-16	1	LOCK & KEY
2	K7998-2	1	KEY ONLY (SPECIFY KEY NUMBER)
3	K7999-14	1	LOCKABLE SWIVEL CASTOR x 1
4	K7999-13	1	SWIVEL CASTOR x 1
5	K7999-12	1	TROLLEY HANDLE
6	K7999-15	1	CASTOR BOLT PACK (16 PIECE)
7	K7999-28	1	EVA MAT PACK (3 PIECE)



### OFFICE CONTACT DETAILS

Phone: 1300 657 528    Email: [enquiries@kinchrome.com.au](mailto:enquiries@kinchrome.com.au)    Website: [www.kinchrome.com.au](http://www.kinchrome.com.au)

### WARRANTY



Our goods and services come with guarantees that cannot be excluded under the Australian Consumer Law. For major failures with the service, you are entitled: -to cancel your service contract with us; and -to a refund for the unused portion, or to compensation for its reduced value. You are also entitled to choose a refund or replacement for major failures with goods. If a failure with the goods or a service does not amount to a major failure, you are entitled to have the failure rectified in a reasonable time. If this is not done you are entitled to a refund for the goods and to cancel the contract for the service and obtain a refund of any unused portion. You are also entitled to be compensated for any other reasonably foreseeable loss or damage from a failure in the goods or service'. Kinchrome Australia Pty Ltd of 3 Lakeview Drive, Caribbean Park, Scoresby, Victoria (Tel 1300 657 528) also provides the Kinchrome Lifetime Guarantee and 12-Month Warranty (Kinchrome Express Warranties) in respect of some of its products. If a product is covered by a Kinchrome Express Warranty and it has materials or workmanship defects (other than defects caused by abnormal or non warranted use) which are covered under the terms of the relevant Kinchrome Express Warranty, you can, at your cost, send the product to the above address for repair or replacement. Your rights under a Kinchrome Express Warranty are in addition to any other rights you have under the Australian Consumer Law or other applicable laws. For further details and terms please check our product guide, visit [www.kinchrome.com.au](http://www.kinchrome.com.au) or call us. Every effort is made to ensure advertised stock is available, but due to factors beyond the control of Kinchrome Australia Pty. Ltd, not all products advertised in this catalogue may be available at all stores. Kinchrome Australia Pty. Ltd. reserves the right to correct printing errors. All sizes shown are approximate only. Accessories shown do not come with the product unless otherwise specified. Due to printing process, colours in this catalogue may vary slightly to actual item. E. & O. E.© Copyright 2022. Reproduction in whole or in part is prohibited without written approval.

