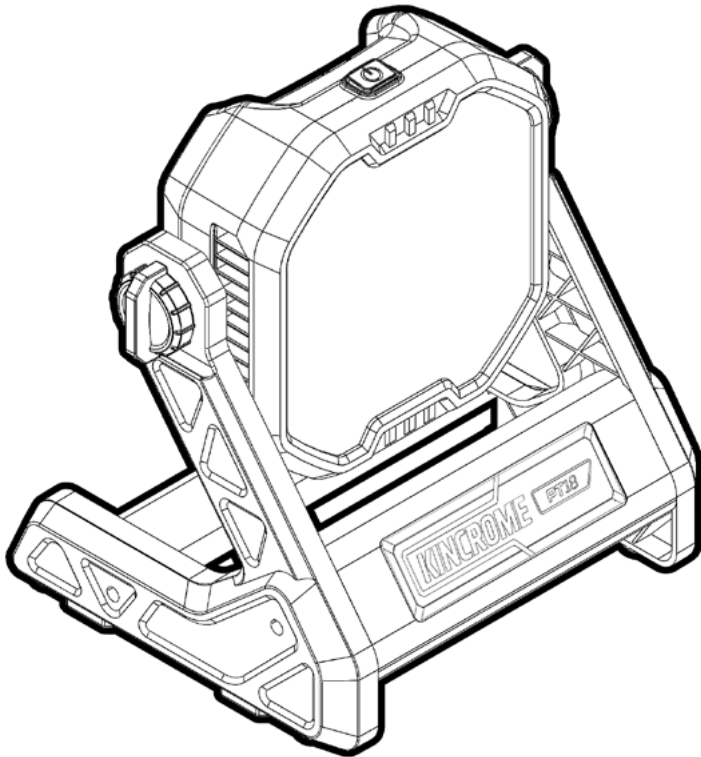


KINCROME

PT18

18V LED Area Light



K23036

ED1 December 2023

General Power Tool Safety Warnings

K23036

WARNING Read all safety warnings and all instructions.

Failure to follow the warnings and instructions may result in electric shock, fire and/or serious injury.

Save all warnings and instructions for future reference.

The term "power tool" in the warnings refers to your mains-operated (corded) power tool or battery-operated (cordless) power tool.

1) Work area safety

- a) **Keep work area clean and well lit.**
Cluttered or dark areas invite accidents.
- b) **Do not operate power tools in explosive atmospheres, such as in the presence of flammable liquids, gases or dust.** *Power tools create sparks which may ignite the dust or fumes.*
- c) **Keep children and bystanders away while operating a power tool.** *Distractions can cause you to lose control.*

2) Electrical safety

- a) **Power tool plugs must match the outlet. Never modify the plug in any way. Do not use any adapter plugs with earthed (grounded) power tools.** *Unmodified plugs and matching outlets will reduce risk of electric shock.*
- b) **Avoid body contact with earthed or grounded surfaces, such as pipes, radiators, ranges and refrigerators.** *There is an increased risk of electric shock if your body is earthed or grounded.*
- c) **Do not expose power tools to rain or wet conditions.** *Water entering a power tool will increase the risk of electric shock.*
- d) **Do not abuse the cord. Never use the cord for carrying, pulling or unplugging the power tool. Keep cord away from heat, oil, sharp edges or moving parts.** *Damaged or entangled cords increase the risk of electric shock.*
- e) **When operating a power tool outdoors, use an extension cord suitable for outdoor use.** *Use of a cord suitable for outdoor use reduces the risk of electric shock.*
- f) **If operating a power tool in a damp location is unavoidable, use a residual current device (RCD) protected supply.** *Use of an RCD reduces the risk of electric shock.*

3) Personal safety

- a) **Stay alert, watch what you are doing and use common sense when operating a power tool. Do not use a power tool while you are tired or under the influence of drugs, alcohol or medication.** *A moment of inattention while operating power tools may result in serious personal injury.*
- b) **Use personal protective equipment. Always wear eye protection.** *Protective equipment such as dust mask, non-skid safety shoes, hard hat, or hearing protection used for appropriate conditions will reduce personal injuries.*
- c) **Prevent unintentional starting. Ensure the switch is in the off-position before connecting to power source and/or battery pack, picking up or carrying the tool.** *Carrying power tools with your finger on the switch or energising power tools that have the switch on invites accidents.*
- d) **Remove any adjusting key or wrench before turning the power tool on.** *A wrench or a key left attached to a rotating part of the power tool may result in personal injury.*
- e) **Do not overreach. Keep proper footing and balance at all times.** *This enables better control of the power tool in unexpected situations.*

- f) **Dress properly. Do not wear loose clothing or jewellery. Keep your hair, clothing and gloves away from moving parts.** *Loose clothes, jewellery or long hair can be caught in moving parts.*
- g) **If devices are provided for the connection of dust extraction and collection facilities, ensure these are connected and properly used.** *Use of dust collection can reduce dust-related hazards.*

4) Power tool use and care

- a) **Do not force the power tool. Use the correct power tool for your application.** *The correct power tool will do the job better and safer at the rate for which it was designed.*
- b) **Do not use the power tool if the switch does not turn it on and off.** *Any power tool that cannot be controlled with the switch is dangerous and must be repaired.*
- c) **Disconnect the plug from the power source and/or the battery pack from the power tool before making any adjustments, changing accessories, or storing power tools.** *Such preventive safety measures reduce the risk of starting the power tool accidentally.*
- d) **Store idle power tools out of the reach of children and do not allow persons unfamiliar with the power tool or these instructions to operate the power tool.** *Power tools are dangerous in the hands of untrained users.*
- e) **Maintain power tools. Check for misalignment or binding of moving parts, breakage of parts and any other condition that may affect the power tool's operation. If damaged, have the power tool repaired before use.** *Many accidents are caused by poorly maintained power tools.*
- f) **Keep cutting tools sharp and clean.** *Properly maintained cutting tools with sharp cutting edges are less likely to bind and are easier to control.*
- g) **Use the power tool, accessories and tool bits etc. in accordance with these instructions, taking into account the working conditions and the work to be performed.** *Use of the power tool for operations different from those intended could result in a hazardous situation.*

5) Battery tool use and care

- a) **Recharge only with the charger specified by the manufacturer.** *A charger that is suitable for one type of battery pack may create a risk of fire when used with another battery pack.*
- b) **Use power tools only with specifically designated battery packs.** *Use of any other battery packs may create a risk of injury and fire.*
- c) **When battery pack is not in use, keep it away from other metal objects, like paper clips, coins, keys, nails, screws or other small metal objects, that can make a connection from one terminal to another.** *Shorting the battery terminals together may cause burns or a fire.*
- d) **Under abusive conditions, liquid may be ejected from the battery; avoid contact. If contact accidentally occurs, flush with water. If liquid contacts eyes, additionally seek medical help.** *Liquid ejected from the battery may cause irritation or burns.*

General Power Tool Safety Warnings

K23036

6) Service

- a) **Have your power tool serviced by a qualified repair person using only identical replacement parts. This will ensure that the safety of the power tool is maintained.**

Additional Safety Instructions WORKLIGHTS

- a) *Ensure the worklight is correctly charged before initial use.*
- b) *DO NOT leave the unit in a totally discharged state for an extended period of time as this may result in permanent damage.*
- c) *DO NOT cover or block the lens during use.*
- d) *DO NOT shine directly into your, other person's or animal's eyes.*
- e) *DO NOT allow children to use the worklight.*
- f) *DO NOT handle or move the worklight whilst it is being charged.*
- g) *DO NOT use the worklight if you suspect that the battery or the spotlight casing is damaged.*
- h) *For Indoor Use Only. DO NOT use out side when raining DO NOT expose to liquids, if exposed to liquids switch off the light immediately and disconnect the power supply (only if safe to do so). Let the light totally dry before turning back on.*
- i) *Ensure the worklight is unplugged and allowed to cool before attempting any cleaning or replacement.*
- j) *When not in use store the worklight in a safe, dry, childproof location.*

Using an Extension Lead

Always use an approved extension lead suitable for the power input of this tool. Before use, inspect the extension lead for signs of damage, wear and ageing. Replace the extension lead if damaged or defective.

When using an extension lead on a reel, always unwind the lead completely. Use of an extension lead not suitable for the power input of the tool or which is damaged or defective may result in a risk of fire and electric shock.

To reduce the risk of electric shock, we recommend the use of a residual current device (rated 30mA or less). Grounded tools require a three wire extension cord. As the distance from the supply outlet increases, you must use a heavier gauge extension cord. Using extension cords with inadequately sized wire causes a serious drop in voltage, resulting in loss of power and possible tool damage.

Guidelines for Using Extension Cords

- If you are using an extension cord outdoors, be sure it is acceptable for outdoor use.
- Be sure your extension cord is properly wired and in good electrical condition. Always replace a damaged extension cord or have it repaired by a qualified person before using it.
- Protect your extension cords from sharp objects, excessive heat and damp or wet areas.



WARNING! This power tool is not intended for use by persons (including children) with reduced physical, sensory or mental capabilities, or lack of experience and knowledge, unless they have been given supervision or instruction concerning use of the power tool by a person responsible for their safety.

WARNING! Multi-Voltage Tools are always in operating conditions. Therefore the product should always be in the OFF state, with the battery pack removed and power cord disconnected, when not in use.

Do not leave light on while unattended. Failure to follow these instructions could result in serious personal injury or property damage.

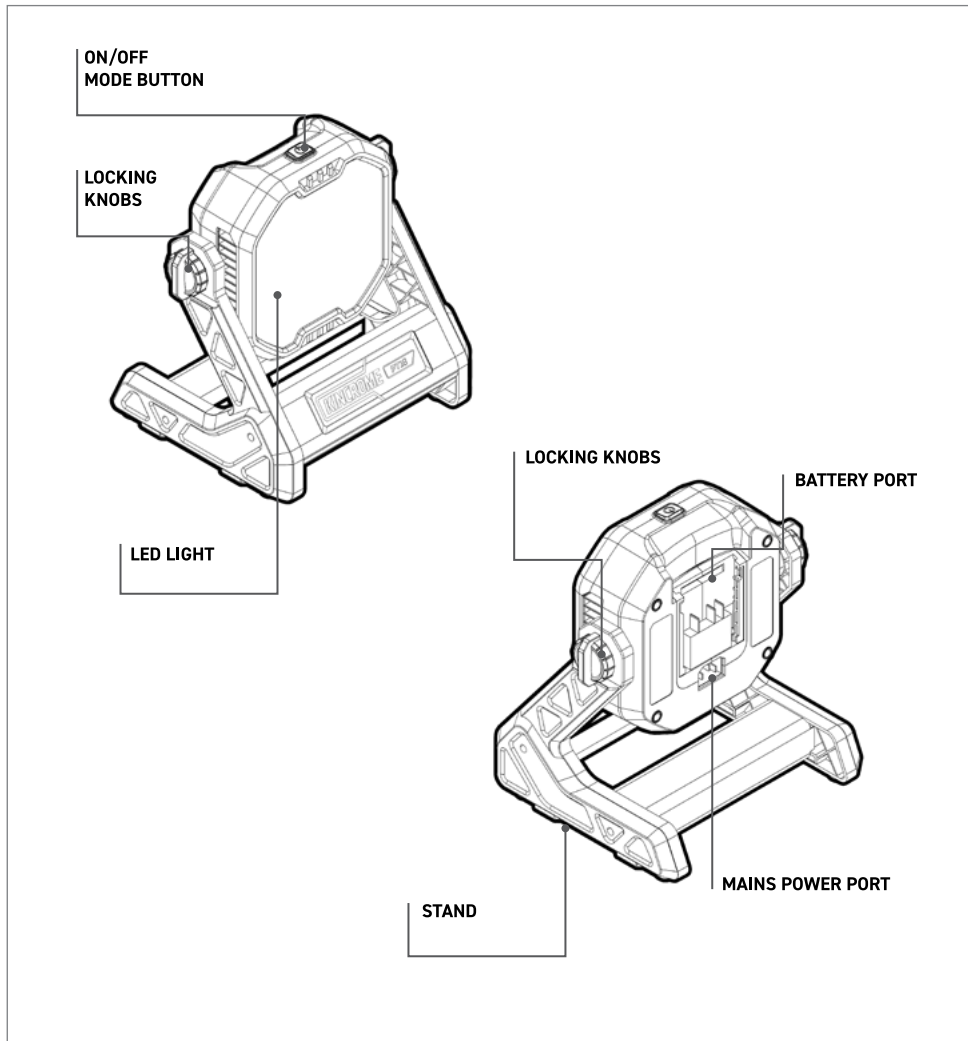
Symbols

The rating plate on your tool may show symbols. These represent important information about the product or instructions on its use.

	Direct current, DC		Waste electrical products should not be disposed of with household waste. Please recycle where facilities exist. Check with your Local Authority or retailer for recycling advice.
	Alternating current, AC		
	Replace if any Cracked protective shield		General warning
	Class III battery product		Regulator compliance mark
	Indoor use only		Refer to instruction manual/booklet

Know Your Product

K23036



Specifications

Input Voltage	18V d.c., 220-240V~ 50 Hz
IP Rating:	IP20
Runtime 2Ah (High/Low)	3 / 1.5 Hours
Runtime 4Ah (High/Low)	2.5 / 5 Hours
Runtime 6Ah (High/Low)	3.5 / 7 Hours

Light Output	Low: 1,200 lm High: 2,500 lm
Tilt	0-270°
LED Wattage	24 Watt
Weight (No battery)	1 kg

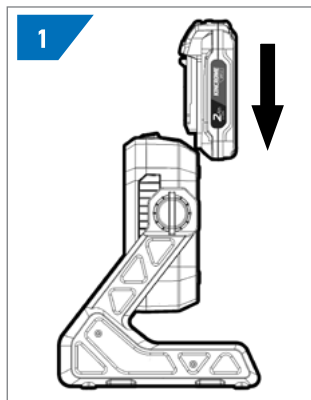
How To Insert 18V Battery On Tool

K23036

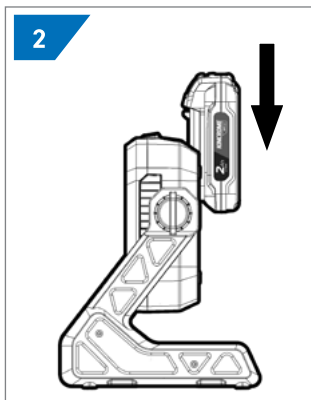
**WARNING!**

Recharge only with the charger specified for the battery. For specific charging instructions, read the operation manual supplied with the battery charger and battery.

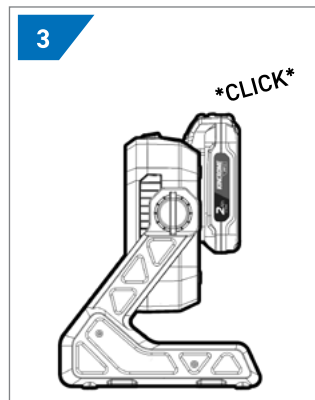
NOTE: When the light is running on battery, the AC Power will be over ridden. The configuration of this area light prevents the installation of the battery while the AC power cable is connected.



1. ALIGN BATTERY RIBS WITH TOOL.

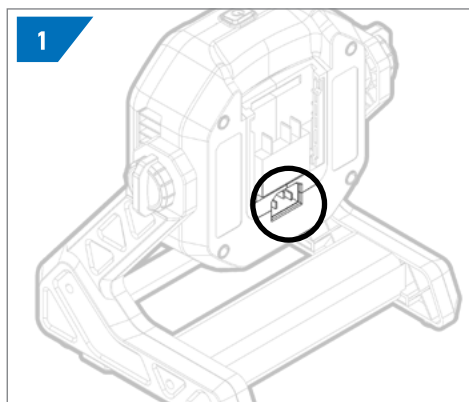


2. SLIDE INTO TOOL.

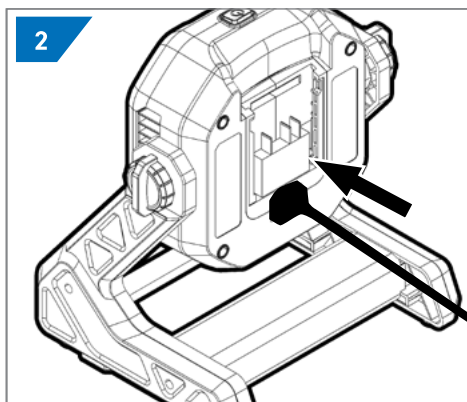


3. STOP WHEN YOU HEAR IT CLICK IN PLACE.

How To Connect to Mains Power



1. ALIGN POWER CABLE WITH THE MAINS POWER PORT ON THE LED LIGHT AND PUSH IN.



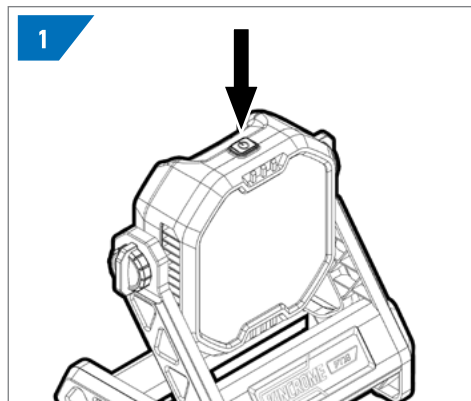
2. PLUG THE POWER CABLE INTO MAINS POWER PORT.

Turning on The Light ON/OFF

K23036

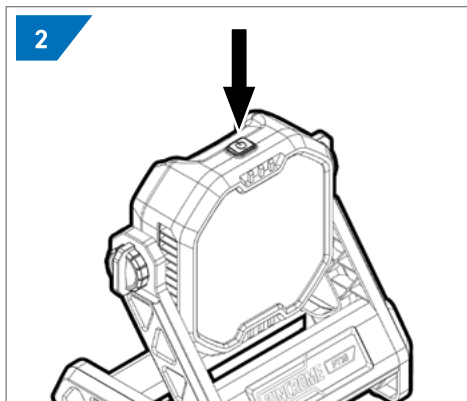


WARNING! DO Not stare directly at the led light.
DO Not point light at bystanders face, position light to illuminate work area only.



1. TURN ON LED LIGHT

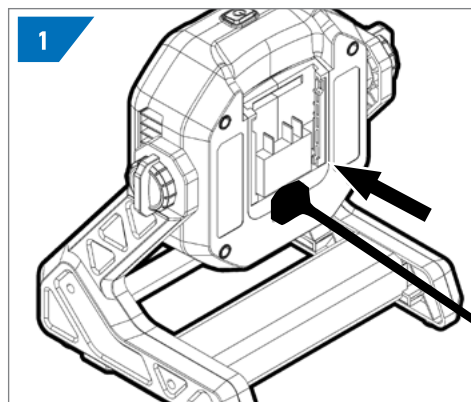
Press the ON/OFF mode button to turn the LED Worklight on.



2. CHANGE MODES

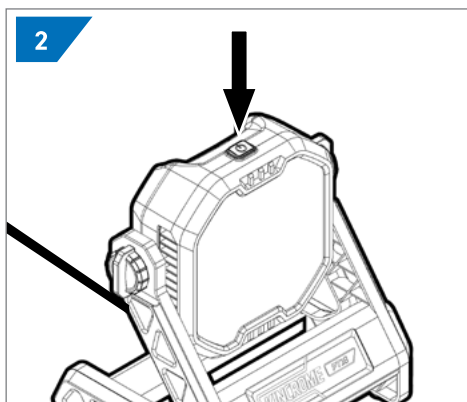
To change LED Worklight brightness, when the LED Worklight is on press the LED Worklight Light button to toggle between low, medium and high settings. The LED light indicates the current setting.

Using the Light in 240V mode



1. CONNECT TO MAINS POWER

First push the power cable into the mains power port of the LED light, then plug the power cable into the mains power plug and turn on.

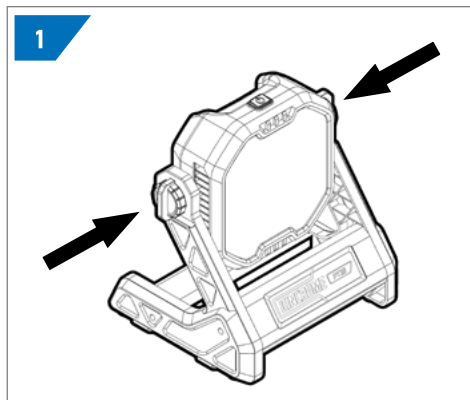


2. TURN ON/OFF THE LED

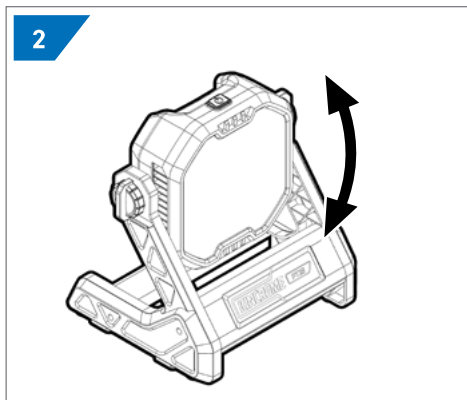
Press the switch once, the light shines brightly (high mode). Press the switch again, the light shines mildly (low mode). To turn off the light, press the switch once again.

360° Tilt Operation

K23036



1. TO ADJUST THE TILT ANGLE OF THE WORKLIGHT. LOOSEN THE TILT ADJUSTMENT KNOBS ON BOTH SIDES.



2. ROTATE THE WORKLIGHT HEAD TO THE DESIRED ANGLE. RE-TIGHTEN THE TILT ADJUSTMENT KNOBS TO LOCK INTO POSITION.


Maintenance

If the unit should become defective, repair should be performed by an authorized service agent for electric tools. Avoid using solvents when cleaning plastic parts. Most plastics are susceptible to damage from various types of commercial solvents and may be damaged by their use. Use clean cloths to remove dirt, dust, oil, grease, etc.

Warning!

Do not at any time let brake fluids, gasoline, petroleum based products, penetrating oils, etc., come in contact with plastic parts. Chemicals can damage, weaken or destroy plastic which may result in serious personal injury.

Office Contact Details

 Phone: 1300 657 528

 Email: enquiries@kincrome.com.au

 Website: www.kincrome.com.au

Warranty



3 YEAR STANDARD
+2 FURTHER YEARS WHEN
REGISTERED ONLINE

Our goods and services come with guarantees that cannot be excluded under the Australian Consumer Law. For major failures with the service, you are entitled: -to cancel your service contract with us; and -to a refund for the unused portion, or to compensation for its reduced value. You are also entitled to choose a refund or replacement for major failures with goods. If a failure with the goods or a service does not amount to a major failure, you are entitled to have the failure rectified in a reasonable time. If this is not done you are entitled to a refund for the goods and to cancel the contract for the service and obtain a refund of any unused portion. You are also entitled to be compensated for any other reasonably foreseeable loss or damage from a failure in the goods or service. Kinchrome Australia Pty Ltd of 3 Lakeview Drive, Caribbean Park, Scoresby, Victoria (Tel 1300

657 528) also provides the Kinchrome Limited Lifetime Guarantee, 5 Year Warranty, 5 Year (3+2) warranty, 3 Year Warranty, 2 Year Warranty and 12-Month Warranty (Kinchrome Express Warranties) in respect of some of its products. If a product is covered by a Kinchrome Express Warranty and it has materials or workmanship defects (other than defects caused by abnormal or non warranted use) which are covered under the terms of the relevant Kinchrome Express Warranty, you can, at your cost, send the product to the above address for repair or replacement. Your rights under a Kinchrome Express Warranty are in addition to any other rights you have under the Australian Consumer Law or other applicable laws. For further details and terms please check our product guide, visit www.kincrome.com.au or call us. Every effort is made to ensure advertised stock is available, but due to factors beyond the control of Kinchrome Australia Pty. Ltd, not all products advertised in this catalogue may be available at all stores. Kinchrome Australia Pty. Ltd. reserves the right to correct printing errors. All sizes shown are approximate only. Accessories shown do not come with the product unless otherwise specified. Due to printing process, colours in this catalogue may vary slightly to actual item. E. & O. E.© Copyright 2022. Reproduction in whole or in part is prohibited without written approval.