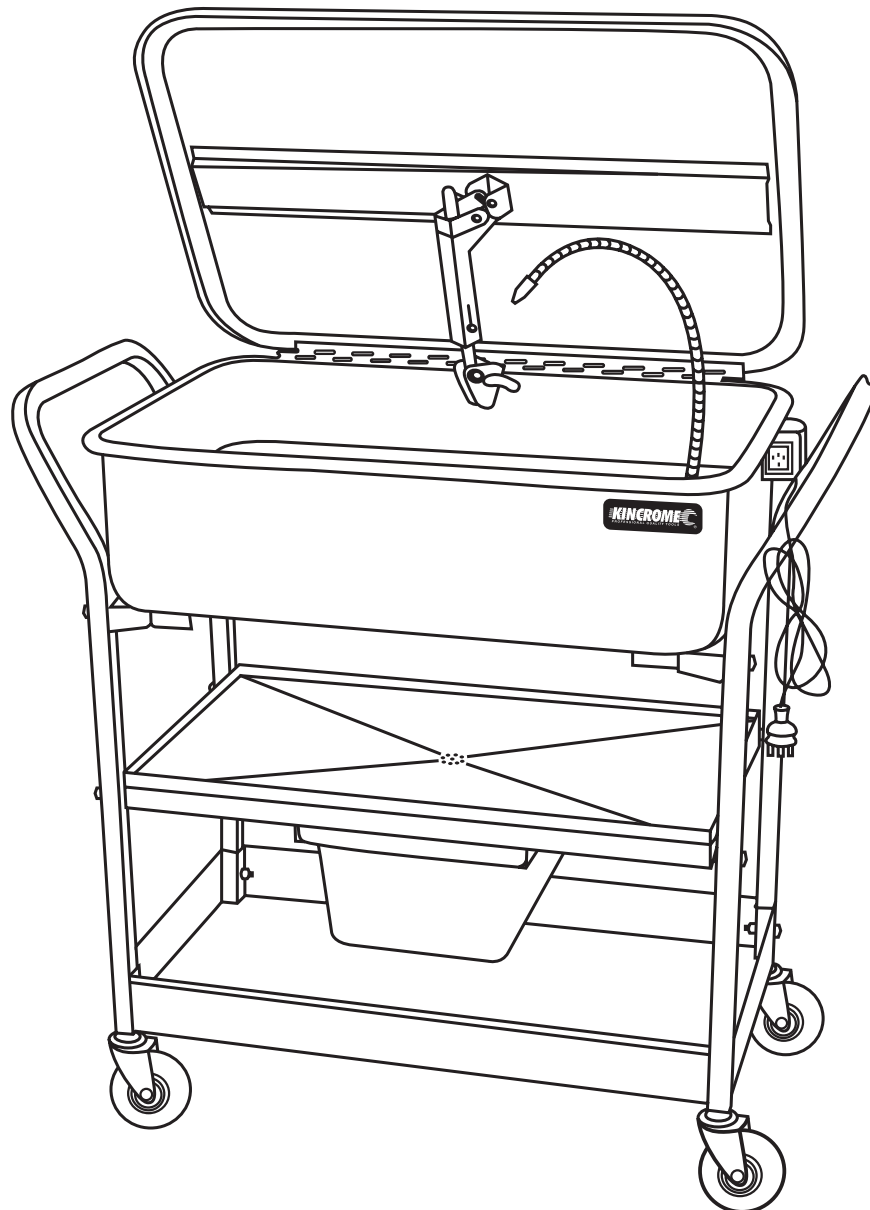


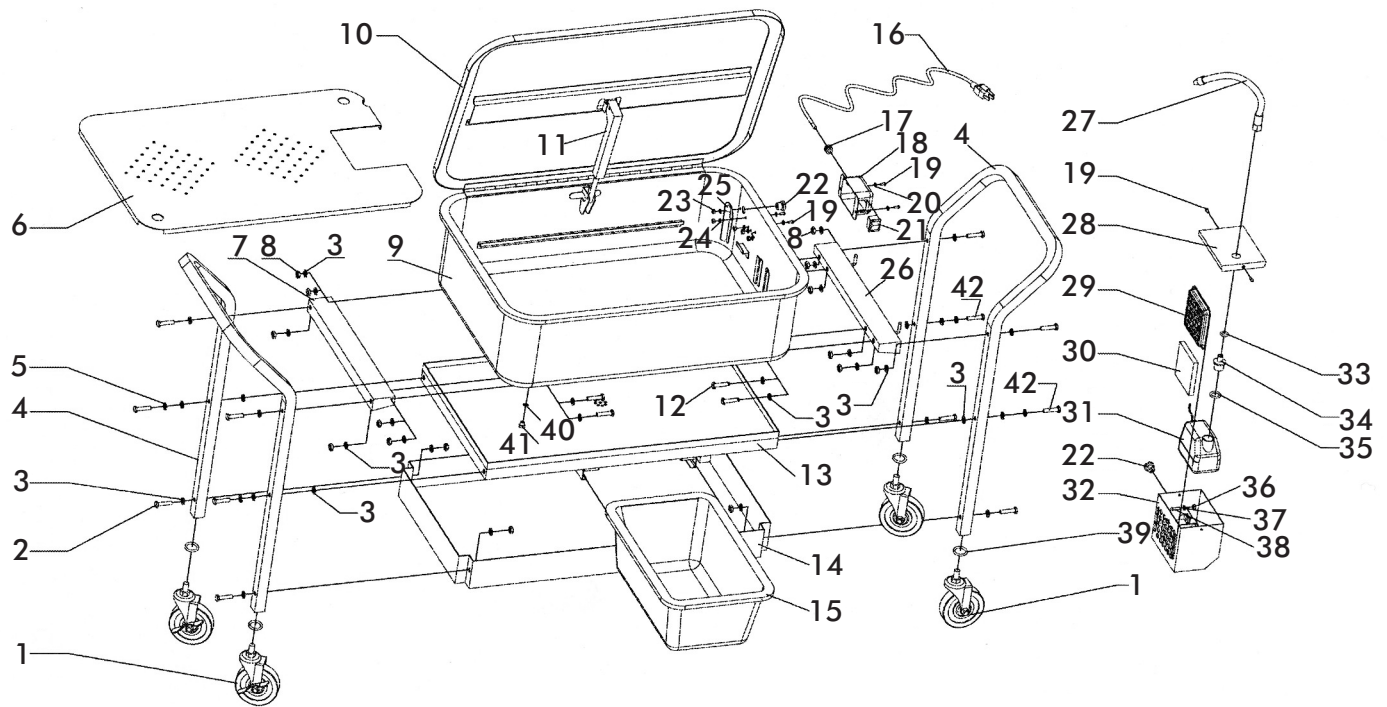


# Parts Washer

## 75 Litre Mobile



Part No - K13082



Parts No	Description	Quantity	Parts No	Description	Quantity
<b>01</b>	Castor	4	<b>22</b>	Cable Guard	2
<b>02</b>	Bolt	8	<b>23</b>	Hex Nut M4	5
<b>03</b>	Flat Washer	40	<b>24</b>	Spring Washer	5
<b>04</b>	Handle	2	<b>25</b>	Wire Flange	1
<b>05</b>	Lock Washer	4	<b>26</b>	Right Tank Mount	1
<b>06</b>	Wash Board	1	<b>27</b>	Flexible Nozzle	1
<b>07</b>	Left Tank Mount	1	<b>28</b>	Pump Housing Cover	1
<b>08</b>	Lock Nut	16	<b>29</b>	Filter Cover	1
<b>09</b>	Tank	1	<b>30</b>	Filter Screen	1
<b>10</b>	Tank Lid	1	<b>31</b>	Pump Assembly	1
<b>11</b>	Fusible Link	1	<b>32</b>	Pump Housing	1
<b>12</b>	Short Bolt	8	<b>33</b>	Grommet	1
<b>13</b>	Middle Shelf	1	<b>34</b>	Spigot	1
<b>14</b>	Lower Shelf	1	<b>35</b>	Grommet	1
<b>15</b>	Drain Tank	1	<b>36</b>	Hex Nut M5	1
<b>16</b>	Power Cord	1	<b>37</b>	Flat Washer	1
<b>17</b>	Cable Clamp	1	<b>38</b>	Screw M5 X 20	1
<b>18</b>	Switch Box	1	<b>39</b>	Spring Washer	4
<b>19</b>	Screw	7	<b>40</b>	Grommet	1
<b>20</b>	Flat Washer M4	7	<b>41</b>	Plug	1
<b>21</b>	Power Switch	1	<b>42</b>	Bolt	4

# Assembly Instructions:

1. Remove parts washer from carton
2. Remove parts from inside parts washer
3. Carefully lay the parts washer on it's lid (lay cardboard on the floor first to prevent damage and scratches)
4. Mount four legs on brackets with M6x12 Phillips head screws and M6 nuts  
**NOTE: DO NOT TIGHTEN AT THIS STAGE**
5. Place lower shelf between legs with flat surface up and attached legs with M6x12 Phillips head screws and M6 nuts.
6. Using legs press tightly against lower shelf, and then tighten all screws.
7. Then tighten all screws in step 4
8. Attach 4 castors (both toe lock type on the same side)
9. Stand the Parts Washer up, ensure that you hold the lid closed
10. Put work shelf into Parts Washer
11. Slide fluid collection tube in middle shelf
12. Mount pump assembly into slot on the side of the Parts Washer then insert filter screen
13. Plug Parts Washer into standard 240Volt (50Hz) grounded outlet and fill water and detergent mixture to desired level
14. Turn on switch. Fluid should now be flowing from the flexible hose.

## Specifications:

<b>Overall Dimensions:</b>	715mm x 500mm x 890mm
<b>Tank Dimensions:</b>	715mm x 500mm x 270mm
<b>Max Solvent Capacity:</b>	75 Litres
<b>Max Pump Output (through flexible hose):</b>	10 – 12 Litres per minute
<b>Electrical Requirements:</b>	240 Volt / 50Hz / 0.5A
<b>Gross Weight:</b>	45 Kgs



## Cleaning Solutions:

Approved cleaning solutions: Water/household detergents (PH6-8)

## Warning:

The pump of your Parts Washer may be damaged if you use solvents other than those listed above such as Methylethy 1 Keton (MEK), Perchloroethylene or Trichloroethylene.

## Trouble Shooting:

The only trouble you should ever experience with your Parts Washer is reduced volume flow or no flow of cleaning liquid from the flex hose nozzle. The probable cause is foreign matter in the flex hose.

## Corrective Procedure:

1. Check if indicator light on switch box is lit.
2. Using an insulated handle screw driver to lightly touch tip of housing of motor. A light oscillation magnetic pull indicates power is reaching the motor.
3. Disconnect power plug, remove flex hose from pump flow-out line.
4. Remove front of pump housing by removing 3 screws.  
Clean any foreign matter lodged around impeller.
5. Reassemble in reverse order.

## Service:

1. Regularly clean the filter to ensure good flow through pump and hose.
2. Replace cleaning fluid when it becomes too contaminated.

## For Warranty and Service Issues please contact:

**Customer Service Centre:** Telephone: 1300 657 528 Facsimile: 1300 556 005

**Warranty:** Covered from 3 months from date of purchase against faulty workmanship and materials.