

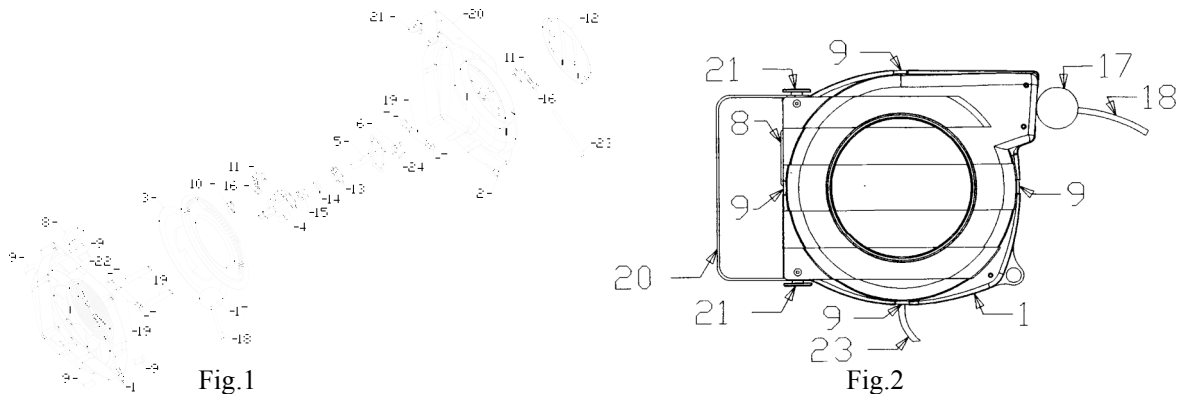


S130114 AUTOMATIC HOSE REEL

INSTRUCTION MANUAL

1. INTRODUCTION

This reel is made of high-quality materials and, driven and released by the recoil spring, which can rewind the hose automatically. Also there is a lock device between left cover and reel, which can control the hose length, when the hose be pulled out or rewound. The length of hose ranges from 0-9m, can be 180° swiveled, enlarge the range of usage. The supplied steel swivel bracket and Dyna bolts allows for convenient installation in various positions. (Fig.1, explosion picture of the unit; Fig.2, obverse picture of the unit).



- | | | |
|-----------------------------|-----------------------------------|------------------------|
| 1. Left case | 10. pressing plate | 19. rotation guide |
| 2. Right case | 11. hose connecting seat | 20. mounting bracket |
| 3. Coil string check circle | 12. right low cover | 21. bracket-supporting |
| 4. Center shaft | 13. cover of aerated center shaft | 22. spring |
| 5. Supporting seat | 14. flat pad | 23. supply to hose |
| 6. Ratchet | 15. 3-phase pad | 24. pull spring |
| 7. Window supporting seat | 16. metal button | |
| 8. Hook | 17. hose stop | |
| 9. Stainless steel button | 18. hose | |

2. INSTALLATION

1. This reel is suitable for installing near source of air. For a large area, it is suggested to place it in the center work area to maximise your space.
2. Attach the inlet hose to the source of air.
3. The mounting bracket can be installed to a brick wall. There are many alternative positions in which the unit can be placed. (eg. Wood studs, Metal poles et)
 - 1) The most appropriate position is to mount it on a wall or post

horizontally, approximately 1 meter above the ground.

2) Otherwise, the reel can use vertically when you hang in an overhead suitable beam or rafter (Fig.3).

3) The reel in the lower bracket pin must be fixed with a bolt or lock to secure the safety. The mounting bracket has 2 holes,

to the two holes on both ends there is a M8 Dyan Bolts corresponds. Each bolt must be with spring washer or padding (Fig4). Position of the two holes please sees Fig.5 (measurement in mm).

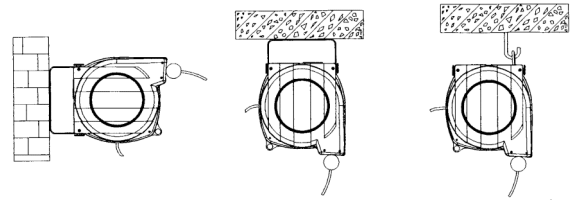


Fig.3

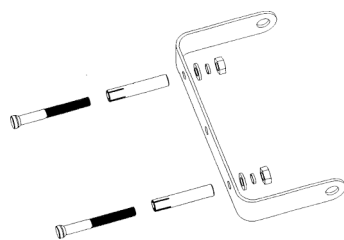


Fig.4

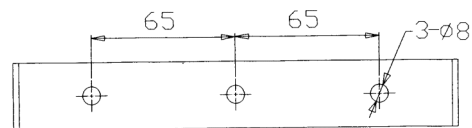


Fig.5

3. ATTENTION POINTS FOR HOSE USE

The reel has a high quality kink resistant hose supplied.

1. After use, turn off the air to allow for easy retraction.
2. It is the best way to turn off the air before retracting the hose.
3. Do not leave the reel in the outside during very low temperature. Under low temperature conditions, the hose may be less flexible and difficult to retract.
4. Do not allow the hose to touch any chemicals or substances, such as acetone, white spirits, acids etc.

4. HOW TO RETRACT HOSE CORRECTLY

This reel is fitted with ratchet wheel and detent design and a safety lock at the side of reel, making it easy to extend and retract the hose. While pulling out the hose, you can hear the repeated ratchet mechanism sound. When you pull out the hose length needed and hear the ratchet mechanism engage, the hose will remain at the desired length. When you retract the hose, pull out about 300MM and when no ratchet mechanism can be heard; you can retract the hose. To retract, please ensure a minimum of 25% of the hose has been extended. During retraction, always hold the hose and follow the retraction until it is finished to prevent injury. If the hose twists, it is necessary to extend the hose to its full length then allow it to retract evenly back into the reel.

5. MAINTENANCE

Do not immerse the reel in water to clean. If hose is very dirty, please clean it before retraction. The reel should be mounted in a sheltered position to prolong its life. The metal parts may deteriorate and rust in exposed positions. Also the polypropylene parts will be affected when exposed outside, particularly under sunlight, which will affect the life of the reel housing and retracting wheel. When not in use, it is advisable to store your reel.

If the hose cannot be retracted after prolong use, the spring may be fatigued. So the tension of spring should be adjusted by 1-2 turns: firstly, discharge the left cover from reel, clamp the head of spring, remove it away from reel; then rotate anti-clockwise from the unit for 1-2 turns, restore the spring head to the reel; lastly, replace the left cover.

6. TECHNICAL SPECIFICATION

MODEL	INNER DLAMETER OF HOSE	HOSE LENGTH	HOSE METERIAL	PRESSUR	TEMPERATURE	CASING METRIAL	SIZE OF OUTLET FITTING
S130114	8mm	9m+1m	PU	12BAR (1.2MPa)	-5°C/45°C	PP	1/4"