

# Assembly Instructions



## 43 Bin Steel Storage Rack

Part No. K7105

### SAFETY INSTRUCTIONS

- BE CAREFUL of sharp edges.
- DO NOT stand on this product or use as a ladder.
- DO NOT alter this product in any manner. This may cause product damage or personal injury.
- Position the product on a level surface. The product may become unstable and tip if stored or moved on an un-level surface, and may cause personal injury or product damage.
- DO NOT overload.

### ASSEMBLY

You will need 7mm socket drive, screwdriver, rubber mallet.

Note: Not the fasteners are compression nuts. Do not fully tighten brace supports until assembly completed.

1) Attach 2 upright supports to bottom stand by slotting uprights into stand base. Note: keyhole slot small end faces down. Refer to diagram. Use 4 fasteners for each upright and tighten.

2) Connect brace supports to each upright support and bottom stand using 2 fasteners for each brace. Do not fully tighten.

3) Install 7 cross braces. Start at bottom and place cross brace rivets into first open keyhole slots. Use rubber mallet and lightly tap at each cross brace end being sure the rivets are straight when seating into slots.

Install the next 3 cross braces in same manner as above skipping 2 keyhole slots between each brace.

Install next 3 cross braces in same manner as above skipping just one keyhole slot

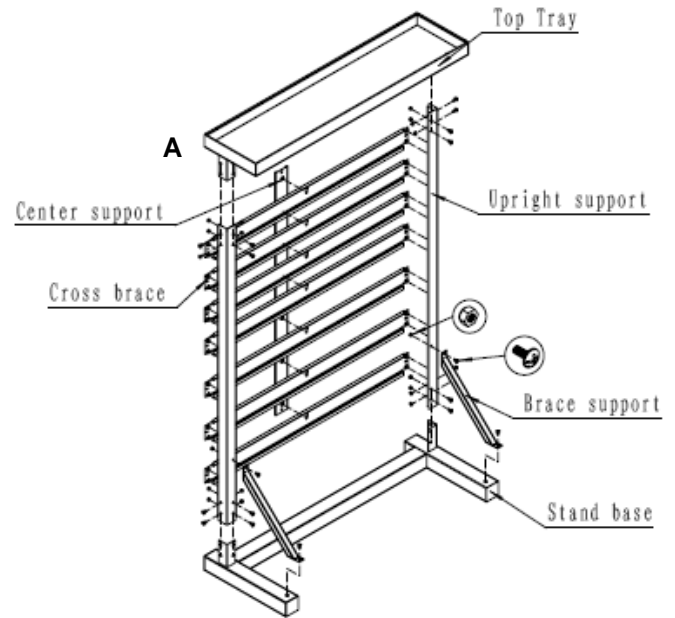
When finishing installing cross braces there will be 2 keyhole slots at top remaining open.

4) Connect center support to cross braces by lining up rivets to backside of cross braces. Once aligned, tap down at top of center support to seat rivets.

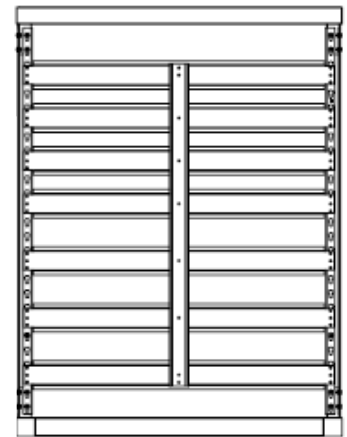
5) Attach top tray to upright supports by slotting into uprights. Use 4 fasteners for each upright. Tighten securely.

6) Finish securely tightening both bottom brace supports to bottom stand.

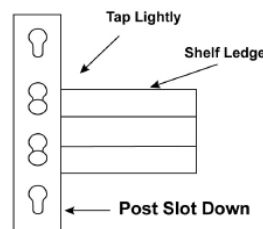
7) Install large bins on the 3 lower cross braces and small bins on the upper 4 cross braces by using flange in rear of bin.



C



B



D

