

KINCROME

TRADECENTRE



PRODUCT GUIDE



THE ULTIMATE **WORKSHOP** SOLUTION



KINCROME TRADE CENTRE IS A BRAND-NEW MODULAR STORAGE SYSTEM, DESIGNED FOR EITHER PROFESSIONAL WORKSHOP USE OR THE HOME. WHETHER YOU HAVE A LARGE WORKSHOP OR A SMALL GARAGE, TRADE CENTRE IS DESIGNED TO ACCOMMODATE ANY SCENARIO.

FEATURES: • GLOSS BLACK POWDER COAT • STAINLESS STEEL WORK SURFACES
• BALL BEARING SLIDES • HEAVY DUTY CASTORS • MODULAR DESIGN

MOBILE SERVICE TROLLEY

6 DRAWER 300MM

FEATURES

- Narrow body
- Stainless steel recessed work surface
- Recessed side handles
- 45mm Ball Bearing Automatic Drawer Retention slides
- UV stabilised gloss black powder coat
- Stainless Kick panel
- EVA drawer liners
- 4 x 75mm Dual wheel swivel castors
- 1 - 4 units fit under the bench recess

SPECIFICATIONS

Measurements	298 x 461 x 967mm
Top Tray	294 x 455 x 49mm
Small Drawer	249 x 439 x 85mm
Large Drawer	249 x 439 x 180mm
Weight	33kg
Work Surface Rating	20kg
Drawer Rating	10kg (Per Drawer)
Castor Rating	200kg (4 Piece)

P/N:	K7369
Barcode:	9312753086349
List Price:	\$534.00



MOBILE PARTS TROLLEY

6 TRAY 300MM

FEATURES

- Narrow body
- Stainless steel recessed work surface
- Recessed side handles
- 6 Removeable friction slide parts trays
- UV stabilised gloss black powder coat
- Stainless Kick panel
- Lockable door
- Stainless steel kicker panel
- EVA tray liners
- 4 x 75mm Dual wheel swivel castors
- 1 - 4 units fit under the bench recess

SPECIFICATIONS

Measurements	298 x 461 x 967mm
Top Tray	294 x 455 x 49mm
Small Tray	294 x 410 x 85mm
Large Tray	249 x 410 x 180mm
Weight	33kg
Work Surface Rating	20kg
Castor Rating	200kg (4 Piece)
Tray Rating	15kg (Per Tray)

P/N:	K7368
Barcode:	9312753086332
List Price:	\$534.00



TOOL TROLLEY

7 DRAWER 680MM

FEATURES

- Stainless steel work surface
- 45mm Ball Bearing Automatic Drawer Retention slides
- UV stabilised gloss black powder coat
- Stainless Kick panel
- Recessed side handles
- Stainless kick panel
- EVA liners
- 4 x 125mm Heavy duty swivel castors

SPECIFICATIONS

Measurements	679 x 461 x 959mm
Small Drawer	590 x 416 x 60mm
Middle Drawers	590 x 416 x 78mm
Large Drawers	590 x 416 x 106mm
Deep Drawer	590 x 416 x 163mm
Weight	60kg
Bench rating	75kg
Drawer rating	25kg (Per drawer)
Castor rating	600kg (4 Pieces)

P/N:	K7367
Barcode:	9312753086325
List Price:	\$935.00



ROLLER DOOR WALL CABINET

2 SHELF 520MM

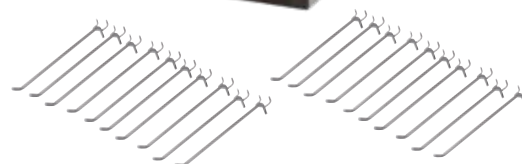
FEATURES

- 2 Adjustable shelves
- Rear peg board
- Metal peg board hooks x 20 hooks
- UV stabilised gloss black powder coat
- Lockable roller door
- Wall mountable

SPECIFICATIONS

Measurements:	520 x 160 x 930mm
Shelf rating	7kg (Per shelf)
Weight	13kg

P/N:	K7365
Barcode:	9312753086288
List Price:	\$400.00



CABINET WORK BENCH

7 DRAWER 1040MM

FEATURES

- Stainless steel work surface
- 45mm Ball Bearing Automatic Drawer Retention slides
- Cabinet with 2 x adjustable shelves
- UV stabilised gloss black powder coat
- Stainless Kick panel
- EVA drawer liners
- Adjustable feet
- Can be attached to K7370 work bench

SPECIFICATIONS

Measurements	1041 x 622 x 1000mm
Long Top Drawer	952 x 561 x 120mm
Small Drawers	590 x 561 x 78mm
Large Drawers	590 x 561 x 98mm
Weight	106kg
Bench rating	120kg
Drawer rating	25kg (Per Drawer)
Shelf rating	15kg (Per Shelf)

P/N:	K7366
Barcode:	9312753086318
List Price:	\$1,700.00



WORKSHOP BENCH

1560MM

FEATURES

- Stainless steel work surface
- Steel legs and cross supports
- Adjustable feet
- UV stabilised gloss black powder coat
- Suitable for trolley under bench storage
- Suits K7369, K7368, K7367 trolleys
- Can be attached to K7366 cabinet work bench

SPECIFICATIONS

Measurements	1560 x 622 x 1000mm
Weight	62kg
Bench rating	300kg

P/N:	K7370
Barcode:	9312753086356
List Price:	\$800.00



MOBILE BENCH TWIN LID

13 DRAWER 1600MM



FEATURES

- Stainless steel work surface
- Twin lids for under bench storage
- Lid Gas struts
- 45mm Ball bearing automatic drawer retention slides
- UV stabilised gloss black powder coat
- Stainless steel kick panel
- EVA drawer liners
- Power board with USB

SPECIFICATIONS

Measurements	1600 x 635 x 1000mm
Top Tray	719 x 530 x 101mm
Left Top Drawer	833 x 561 x 120mm
Left Small Drawer	833 x 561 x 78mm
Left Large Drawer	833 x 561 x 136mm
Right Small Drawers	590 x 561 x 78mm
Right Large Drawers	590 x 561 x 136mm
Weight	198kg
Bench rating	25kg (Per Bench)
Drawer rating	25kg (Per Drawer)
Castor rating	1000kg (6 Pieces)

P/N:	K7371
Barcode:	9312753086363
List Price:	\$3,300.00



STARTER SET

2 PIECE 7 DRAWER

INCLUDES

- K7366 Bench Cabinet x 1
- K7370 Workshop Bench x 1

FEATURES

- Stainless steel work surface
- 45mm Ball Bearing Automatic Drawer Retention slides
- Cabinet with 2 x adjustable shelves
- UV stabilised gloss black powder coat
- Stainless Kick panel
- EVA drawer liners
- Adjustable feet
- Steel legs and cross supports
- Suitable for trolley under bench storage

SPECIFICATIONS

Measurements: **2601 x 622 x 1000mm**
 Weight: **164kg**

P/N: **K7372**
 Barcode: **9312753086370**
 List Price: **\$2,400.00**



GARAGE SET

3 PIECE 14 DRAWER

INCLUDES

- K7366 Bench Cabinet x 1
- K7370 Workshop Bench x 1
- K7367 Trolley x 1

FEATURES

- Stainless steel work surface
- 45mm Ball Bearing Automatic Drawer Retention slides
- Cabinet with 2 x adjustable shelves
- UV stabilised gloss black powder coat
- Stainless Kick panel
- EVA drawer liners
- Adjustable feet
- Steel legs and cross supports

SPECIFICATIONS

Measurements: **2601 x 622 x 1000mm**
 Weight: **225kg**

P/N: **K7373**
 Barcode: **9312753086387**
 List Price: **\$3,270.00**



WORKSHOP SET 4 PIECE 21 DRAWER

INCLUDES

- K7366 Bench Cabinet x 1
- K7370 Workshop Bench x 1
- K7367 Trolley x 2

FEATURES

- Stainless steel work surface
- 45mm Ball Bearing Automatic Drawer Retention slides
- Cabinet with 2 x adjustable shelves
- UV stabilised gloss black powder coat
- Stainless Kick panel
- EVA drawer liners
- Adjustable feet
- Steel legs and cross supports

SPECIFICATIONS

Measurements:	2601 x 622 x 1000mm
Weight:	286kg

P/N:	K7374
Barcode:	9312753086394
List Price:	\$4,085.00



PRO WORKSHOP SET 5 PIECE 20 DRAWER

INCLUDES

- K7366 Bench Cabinet x 1
- K7370 Workshop Bench x 1
- K7367 Trolley x 1
- K7368 Parts Trolley x 1
- K7369 Service Trolley x 1

FEATURES

- Narrow body
- Stainless steel work surface
- 45mm Ball Bearing Automatic Drawer Retention slides
- Cabinet with 2 x adjustable shelves
- UV stabilised gloss black powder coat
- Stainless Kick panel
- EVA drawer liners
- Adjustable feet
- Steel legs and cross supports

SPECIFICATIONS

Measurements:	2601 x 622 x 1000mm
Weight:	295kg

P/N:	K7375
Barcode:	9312753086400
List Price:	\$4,225.00



ULTIMATE PRO SET

7 PIECE 20 DRAWER



INCLUDES

- K7366 Bench Cabinet x 1
- K7370 Workshop Bench x 1
- K7367 Trolley x 1
- K7368 Parts Trolley x 1
- K7369 Service Trolley x 1
- K7365 Wall Cabinet x 2

FEATURES

- Narrow body
- Stainless steel work surface
- 45mm Ball Bearing Automatic Drawer Retention slides
- Cabinet with 2 x adjustable shelves
- UV stabilised gloss black powder coat
- Stainless Kick panel
- EVA drawer liners
- Adjustable feet
- Steel legs and cross supports

SPECIFICATIONS

Measurements: 2601 x 622 x 1000mm
 Weight: 321kg

P/N: K7377
 Barcode: 9312753086417
 List Price: \$4,765.00



ULTIMATE STORAGE PRO SET

9 PIECE 33 DRAWER



INCLUDES

- K7366 Bench Cabinet x 1
- K7370 Workshop Bench x 1
- K7367 Trolley x 1
- K7368 Parts Trolley x 1
- K7369 Service Trolley x 1
- K7371 Mobile Bench Twin Lid x 1
- K7365 Wall Cabinet x 3

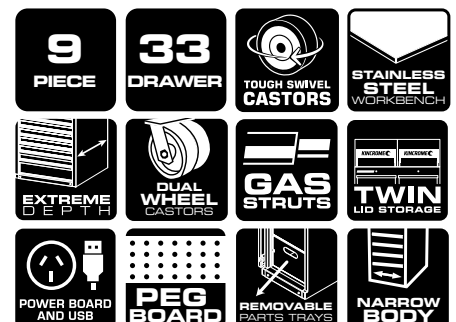
FEATURES

- Narrow body
- Stainless steel work surface
- 45mm Ball Bearing Automatic Drawer Retention slides
- Cabinet with 2 x adjustable shelves
- UV stabilised gloss black powder coat
- Stainless Kick panel
- EVA drawer liners
- Adjustable feet
- Steel legs and cross supports

SPECIFICATIONS

Measurements: **4201 x 622 x 1000mm**
 Weight: **543kg**

P/N: **K7379**
 Barcode: **9312753086424**
 List Price: **\$8,170.00**



TROLLEY TOOL KIT

524 PIECE 13 DRAWER



EVA732T - 117 Piece LOK-ON™ Sockets & Accessories EVA Tray



EVA733T - 38 Piece Combination & Jumbo spanners EVA Tray



EVA734T - 18 Piece Plier, Wrench & Riveter EVA Tray



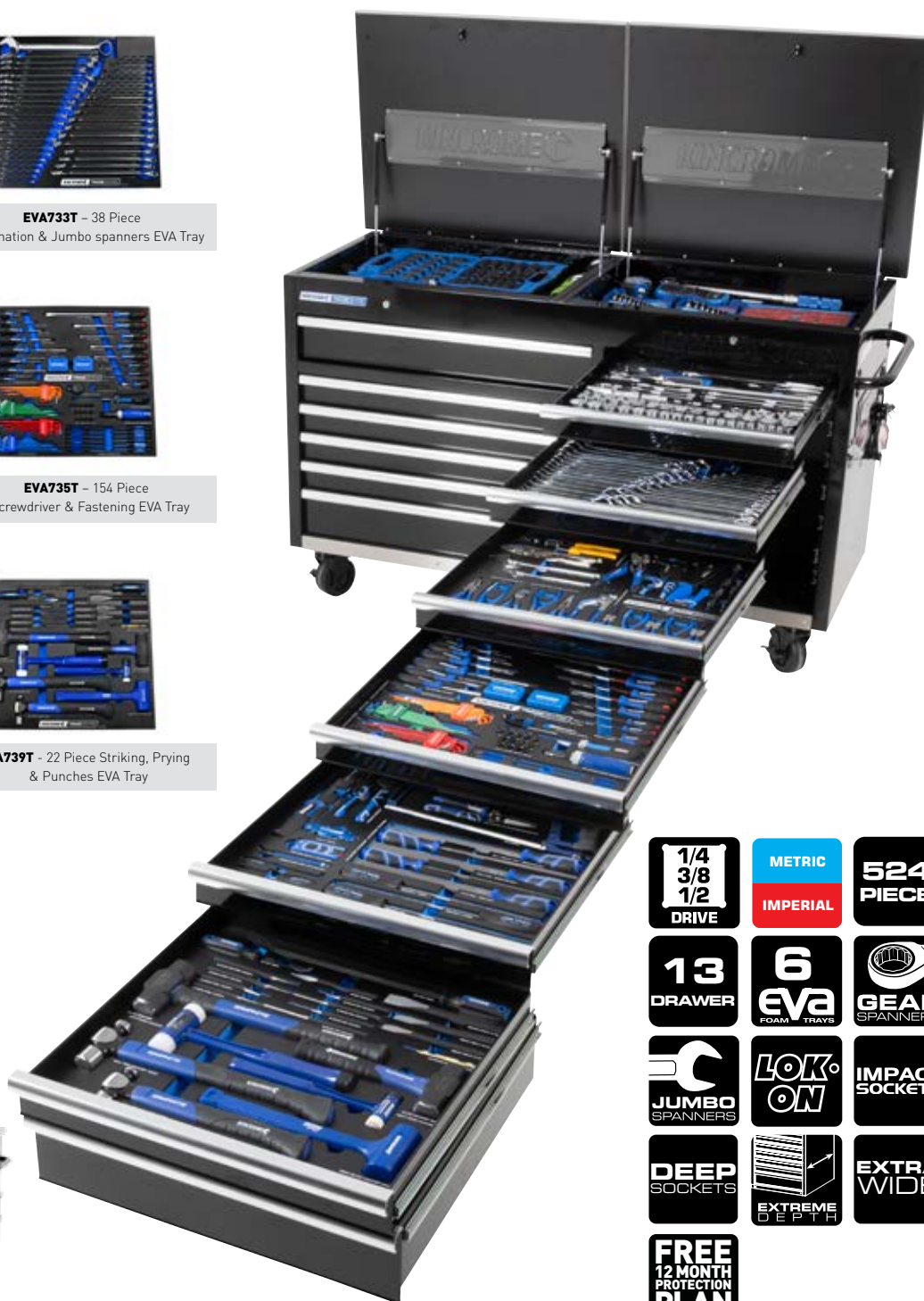
EVA735T - 154 Piece Screwdriver & Fastening EVA Tray



EVA736T - 21 Piece Cut, Scrape & Saw EVA Tray



EVA739T - 22 Piece Striking, Prying & Punches EVA Tray



- 1/4
3/8
1/2
DRIVE**
- METRIC
IMPERIAL**
- 524
PIECE**
- 13
DRAWER**
- 6
EVA
FOAM
TRAYS**
- GEAR
SPANNERS**
- JUMBO
SPANNERS**
- LOK-ON**
- IMPACT
SOCKETS**
- DEEP
SOCKETS**
- EXTREME
DEPTH**
- EXTRA
WIDE**
- FREE
12 MONTH
PROTECTION
PLAN**
ON EVERY KINCROME TOOL KIT

TROLLEY TOOL KIT 524 PIECE 13 DRAWER

DETAILS

P/N	K1771
Barcode	9312753086868
List Price	\$9,000.00

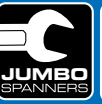
SPECIFICATIONS

Measurements	1600 x 635 x 1000mm
--------------	---------------------

TROLLEY TOOL KIT 524 PIECE 13 DRAWER

DETAILS

P/N	K1771
Barcode	9312753086868
List Price	\$9,000.00



DRAWER 1

EVA732T - 117 Piece LOK-ON™
Sockets and Accessories 1/4", 3/8"
& 1/2" Drive EVA Tray

Metric Sizes:

- **10 LOK-ON™ Sockets 1/4" Square Drive:**
4, 5, 6, 7, 8, 9, 10, 11, 12, 13mm
- **12 LOK-ON™ Sockets 3/8" Square Drive:**
8, 9, 10, 11, 12, 13, 14, 16, 17, 18, 19mm
- **19 LOK-ON™ Sockets 1/2" Square Drive:**
8, 10, 11, 12, 13, 14, 15, 16, 17, 18, 19, 21, 22, 23, 24, 26, 27, 30, 32mm

Imperial Sizes:

- **9 LOK-ON™ Sockets 1/4" Square Drive:** 3/16, 7/32, 1/4, 9/32, 5/16, 11/32, 3/8, 7/16, 1/2"
- **7 LOK-ON™ Sockets 3/8" Square Drive:** 3/8, 7/16, 1/2, 9/16, 5/8, 11/16, 3/4"
- **15 LOK-ON™ Sockets 1/2" Square Drive:** 3/8, 7/16, 1/2, 9/16, 5/8, 11/16, 3/4, 13/16, 7/8, 15/16, 1, 1.1/16, 1.1/8, 1.3/16, 1.1/4"

Metric Deep Sizes:

- **10 LOK-ON™ Deep Sockets 1/2" Square Drive:**
10, 12, 13, 14, 15, 17, 18, 19, 21, 24mm

Imperial Deep Sizes:

- **10 LOK-ON™ Deep Sockets 1/2" Square Drive:**
3/8, 7/16, 1/2, 9/16, 5/8, 11/16, 3/4, 13/16, 7/8, 15/16"

LOK-ON™ Socket Accessories:

- 1/4" Square Drive**
 - Reversible Ratchet
 - Flexible Handle 150mm (6")
 - Extension Bar 65mm (3")
 - Extension Bar 165mm (7")
 - Extension Bar 265mm (11")
 - Universal Joint
- 3/8" Square Drive Accessories**
 - Reversible Ratchet
 - Flexible Handle 200mm (8")
 - Extension Bar 70mm (3")
 - Extension Bar 175mm (7")
 - Extension Bar 275mm (11")
 - Universal Joint
 - 3/8" Female x 1/2" Male Adaptor
 - 3/8" Female x 1/4" Male Adaptor

1/2" Square Drive Accessories

- Reversible Ratchet
- Flexible Handle 375mm (15")
- Extension Bar 95mm (4")
- Extension Bar 155mm (6")
- Extension Bar 280mm (11")
- Extension Bar 405mm (16")
- Universal Joint
- 1/2" Female Adaptor x 3/8" Male
- Spark Plug Socket 1/2" Square Drive 14mm (9/16")
- Spark Plug Socket 1/2" Square Drive 16mm (5/8")
- Spark Plug Socket 1/2" Square Drive 21mm (13/16")

DRAWER 2

EVA773T - 38 Piece Combination
Spanners EVA Tray

Metric Combination Spanners:

- **17 Combination Spanners:**
6, 7, 8, 9, 10, 11, 12, 13, 14, 15, 16, 17, 18, 19, 21, 22, 24mm
- **4 Jumbo Combination Spanners:**
27, 30, 32, 36mm

Imperial Combination Spanners:

- **13 Combination Spanners:**
1/4, 5/16, 3/8, 7/16, 1/2, 9/16, 5/8, 11/16, 3/4, 13/16, 7/8, 15/16, 1"
- **4 Jumbo Combination Spanners:**
1 1/16, 1 1/8, 1 3/16, 1 1/4"

DRAWER 3

EVA734T - 18 Piece Plier, Wrench
& Riveter EVA Tray

- Combination Pliers 200mm (8")
- Diagonal Cutting Pliers 200mm (8")
- Long Nose Pliers 200mm (8")
- Long Nose Bent Pliers 200mm (8")
- Cable Cutter Pliers 200mm (8")
- Multi-Grip Pliers 250mm (10")
- Locking Pliers 150mm (6")
- Compact Hand Riveter
- Nut Riveter
- Automatic Wire Stripper
- Straight Cut Tin Snips
- Adjustable Wrench 200mm (8")
- Adjustable Wrench 250mm (10")
- Circlip Pliers Internal Bent
- Circlip Pliers Internal Straight
- Circlip Pliers External Bent
- Circlip Pliers External Straight
- Circlip Pliers Flagged Tip

DRAWER 4

EVA735T - 154 Piece Screwdriver
& Fastening EVA Tray

- **8 TORQUEMASTER® Screwdrivers - Blade:**
3mm x 75mm, 4mm x 100mm, 5mm x 100mm, 5mm x 150mm, 6mm x 100mm, 8mm x 150mm, 6mm x 38mm, 9.5mm x 250mm
- **5 TORQUEMASTER® Screwdrivers - Phillips:**
No.0 x 75mm, No.1 x 75mm, No.2 x 100mm, No.2 x 38mm, No.3 x 150mm

Security Bit & Holder Set

33 Piece 1/4" Hex Drive

General Bit & Holder Set

33 Piece 1/4" Hex Drive

TORQUEMASTER® Bit holder Driver

6mm Hex Drive

TORQUEMASTER® Spinner Handle

Impact Screwdriver Set 14 Piece

9 Piece Ratcheting Screwdriver

Magnetiser & Demagnetiser

6 Piece Precision TORX®

Screwdriver Set:
T5, T6, T7, T8, T9, T10

6 Piece Precision Screwdriver Set:

Blade:
1.4mm, 2.0mm, 2.4mm, 3.0mm,
Phillips: No.0, No.1

Bit Holder Coupler

1/4" Drive x 1/4" Hex

TORQUEMASTER® Magnetic

Telescopic Pick-up Tool

9 Piece Metric Ball Point Hex Key Set

Long Series:
1.5 x 14 x 90mm,
2.0 x 16 x 100mm,
2.5 x 18 x 112mm,
3.0 x 20 x 126mm,
4.0 x 25 x 140mm,
5.0 x 28 x 160mm,
6.0 x 32 x 180mm,
8.0 x 36 x 200mm,
10.0 x 40 x 224mm

9 Piece Imperial Ball Point Hex Key Set

Long Series:
1/16" x 14 x 90mm,
5/64" x 16 x 100mm,
3/32" x 18 x 112mm,
1/8" x 20 x 126mm,
5/32" x 25 x 140mm,
3/16" x 28 x 160mm,
1/4" x 32 x 180mm,
15/64" x 36 x 200mm,
3/8" x 40 x 224mm

9 Piece TORX® Hex

Key Set **Long Series:**

T10 x 20 x 90mm,
T15 x 25 x 100mm,
T20 x 27 x 111mm,
T25 x 30 x 125mm,
T27 x 33 x 143mm,
T30 x 37 x 166mm,
T40 x 39 x 190mm,
T45 x 44 x 210mm,
T50 x 50 x 235mm

9 Piece Tamperproof TORX®

Hex Key Set **Long Series:**

T10H x 14 x 90mm,
T15H x 16 x 100mm,
T20H x 18 x 112mm,
T25H x 20 x 126mm,
T27H x 25 x 140mm,
T30H x 28 x 160mm,
T40H x 32 x 180mm,
T45H x 36 x 200mm,
T50H x 40 x 224mm

DRAWER 5

EVA736T - 21 Piece Cut/ Hook
Scrape EVA Tray

Mini Hook and Pick Set 4 Piece:

AWL: 129mm, Pin Remover:
115mm, L hook: 115mm,
V hook: 125mm

Mini Bolt Cutter 200mm (8")

Scriber 235mm

Multipurpose Industrial Scissors

Folding Scraper

Large Hook and Pick Set 4 Piece:

AWL: 260mm, Pin Remover: 260mm,
L hook: 260mm,
V hook: 260mm

Folding Utility Knife

• **File Set 5 Piece:** Flat File Bastard Cut,
Half Round File Bastard Cut, Flat File 2nd
Cut, Square File Bastard Cut, Round File
Bastard Cut

Deburring Tool

Jab Saw

Hack Saw

DRAWER 6

EVA739T - 22 Piece Striking/
Prying & Punches EVA Tray

- Ball Pein Hammer 160Z
- Ball Pein Hammer 240Z
- 3lb Club Hammer
- 4lb Club Hammer
- Dead Blow Hammer 240Z
- Soft Face Hammer 25mm
- Soft Face Hammer 38mm

Pry Bar Set 2 Piece:

Extended Bent Pry Bar - 450mm (18"),
Bent Pry Bar - 200mm (8")

Punch and Chisel Set 12 Piece:

- 3 x Cold Chisels - 16mm,
19mm, 25mm
- 4 x Pin Punches - 2.5mm,
4mm, 5mm, 6.5mm

1 x Centre Punch - 5mm

1 x Drift Punch - 5mm

2 x Nail Punch - 2.5mm, 5mm

1 x Cape Punch

Automatic Centre Punch

LOOSE ITEMS

- Digital Vernier 150mm
- Xenda Tape Measure 8m
- 1/2" Torque Wrench 40-200nm
- SMD LED Inspection Light Hi-Vision
- 40 Piece Tap & Die Set Metric
- 40 Piece Tap & Die Set Imperial
- 3 Piece Wire Brush Set Large
- 3 Piece Wire Brush Set Medium
- Digital Multimeter

42 Piece Deep & Standard Impact Socket Set 1/2" Drive - Metric & Imperial EVA Tray

11 Standard Metric Sockets:
10, 12, 13, 14, 15, 16, 17, 18, 19, 21, 24mm

11 Deep Metric Sockets:
10, 12, 13, 14, 15, 16, 17, 18, 19, 21, 24mm

10 Standard Imperial Sockets:

3/8, 1/2, 9/16, 5/8, 3/4, 13/16, 15/16,
1, 1-1/16, 1-1/8"

10 Deep Imperial Sockets:

3/8, 1/2, 9/16, 5/8, 3/4, 13/16, 15/16,
1, 1-1/16, 1-1/8"

8 Piece Imperial Reverse Gear

Spanner Set:

5/16, 3/8, 7/16, 1/2, 9/16, 5/8,
11/16, 3/4"

12 Piece Metric Reverse Gear

Spanner Set:

8, 9, 10, 11, 12, 13, 14, 15, 16, 17,
18, 19mm

EVA TRAYS



EVA KIT OPTIONS

All trays suit both the K7371 and K7366



EVA732T – 117 Piece LOK-ON™ Sockets & Accessories EVA Tray



EVA733T – 38 Piece Combination & Jumbo spanners EVA Tray



EVA734T - 18 Piece Plier, Wrench & Riveter EVA Tray



EVA735T – 154 Piece Screwdriver & Fastening EVA Tray



EVA736T - 21 Piece Cut, Scrape & Saw EVA Tray



EVA739T - 22 Piece Striking, Prying & Punches EVA Tray

TRADE CENTRE KEYED ALIKE PACK 10 PIECE

INCLUDES	QTY
• K7365-1 Lock & Key*	3
• K7366-1 Lock & Key	2
• K7367-1 Lock & Key	1
• K7368-1 Lock & Key	1
• K7369-1 Lock & Key	1
• K7371-1 Lock & Key	2

P/N:	K7399
Barcode:	9312753088299
List Price:	\$250.00

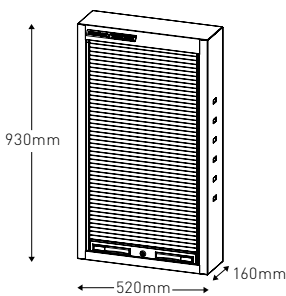
* Wall Cabinet lock and key will be a separate key number



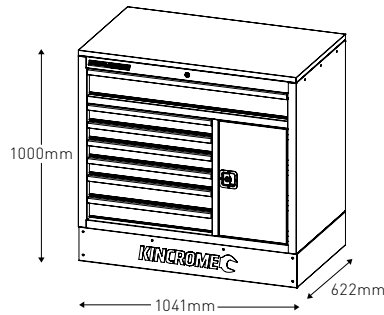


MODULAR CONFIGURATION

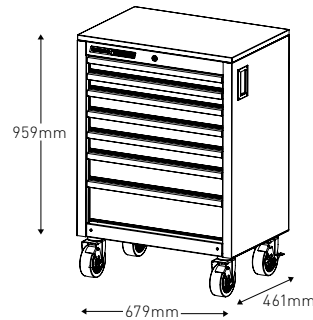
ROLLER DOOR WALL CABINET
2 SHELF 520MM
K7365



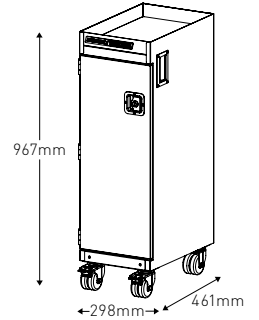
CABINET WORK BENCH
7 DRAWER 1040MM
K7366



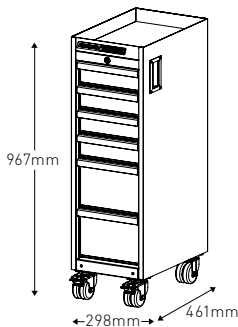
TOOL TROLLEY
7 DRAWER 680MM
K7367



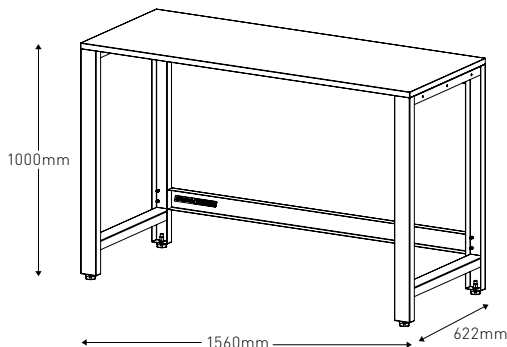
MOBILE PARTS TROLLEY
6 TRAY 300MM
K7368



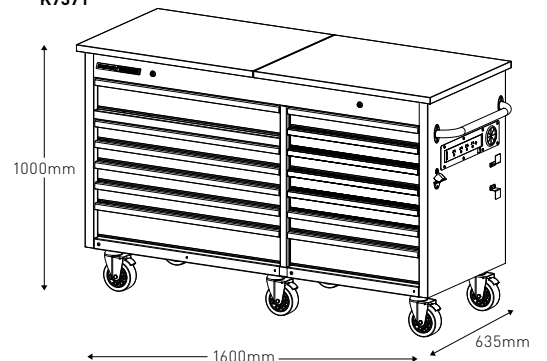
MOBILE SERVICE TROLLEY
6 DRAWER 300MM
K7369



WORKSHOP BENCH
1560MM
K7370



MOBILE BENCH
TWIN LID 13 DRAWER 1600MM
K7371



KINCROME

TRADECENTRE

KINCROME

HEAD OFFICE - VICTORIA

A.B.N 41 007 185 006 A.C.N. 007 185 006

NATIONAL DISTRIBUTION & SHOWROOM

3 Lakeview Drive
Caribbean Business Park
Scoresby, Vic. 3179
Australia
P.O Box 135
Ferntree Gully, Vic. 3156
Australia

QUEENSLAND WAREHOUSE & SHOWROOM

47-53 Boundary Road
Carole Park, QLD 4300
Phone: 1300 657 528
Fax: 1300 556 005

WESTERN AUSTRALIA WAREHOUSE & SHOWROOM

8 Marriott Road
Jandakot, WA 6164
Phone: 1300 657 528
Fax: 1300 566 005

ADMINISTRATION

Phone: (03) 9730 7100
Fax: (03) 9730 7199

CUSTOMER SERVICE CENTRE

Phone: 1300 657 528
Fax: 1300 556 005

Email :

enquiries@kincrome.com.au

Internet:

www.kincrome.com.au



A family
owned
Australian
business